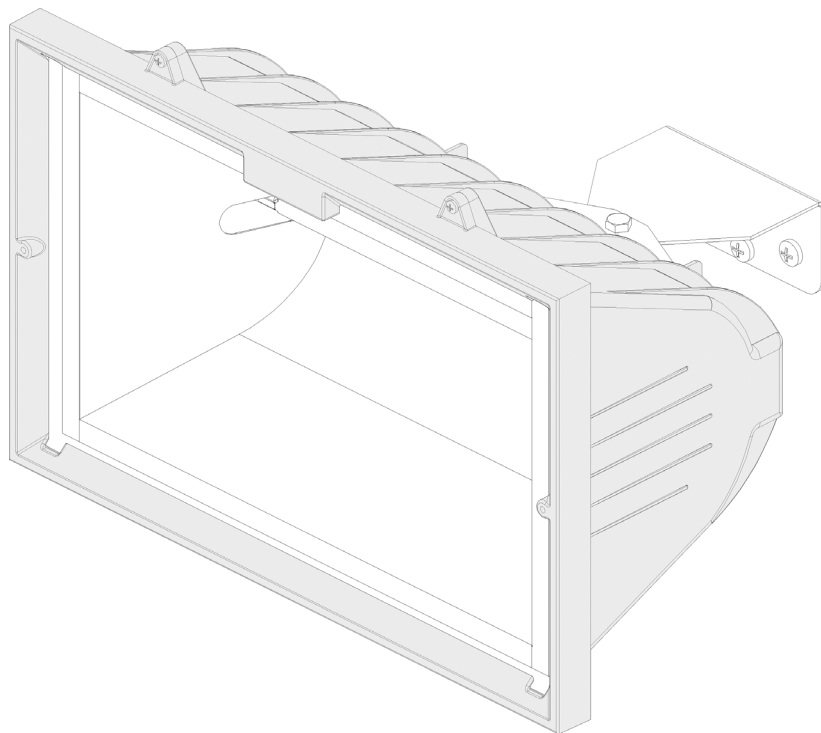




**MO-EL S.p.a.**

Via Galvani, 18  
42027 Montecchio Emilia (RE)  
ITALY  
tel +39 (0522) 868011  
fax +39 (0522) 864223  
www.mo-el.com - info@mo-el.com



# 778A

**RISCALDATORE A RAGGI INFRAROSSI  
INFRARED HEATER**

## **USO E MANUTENZIONE** USE AND MAINTENANCE



*Il presente prodotto è adatto solo ad ambienti correttamente isolati o ad un uso occasionale*  
*This product is only suitable for well insulated spaces or occasional use*

## 1. CAUTION REGARDING THE SECURITY

*Instructions should be carefully read before installation and retained by the user. The booklet must be kept and delivered to the new user in case of cession of the machine. The Manufacturer reserves the right to vary the features of the product without prior notice. The technical data are merely indicative.*

1. This appliance is intended solely for the use it has been designed for, namely the achievement and maintenance of a certain thermal comfort for the people by means of irradiation on them. The product can also be used to heat indoor environments but only in the version with suffix ED in which the product is combined with the control device 9006ED. The Manufacturer is not responsible for any damage that could happen for improper use. After unpacking make sure that the appliance is complete and shows no signs of visible damage or tampering.
2. After unpacking make sure that the appliance is complete and shows no signs of visible damage or tampering.
3. Keep packing materials, which are potential dangers, away from children.
4. The device can be used by children at least 8 years (as well as by persons with reduced physical, sensory or mental capabilities, or lack of experience or required knowledge) provided that they are under surveillance, or after they have been instructed relating to the safe use and have understood the potential dangers. Children should not play with the appliance. Cleaning and maintenance must be performed by the user and not by unsupervised children.
5. Children of less than 3 years should be kept away unless continuously supervised.
6. Children aged from 3 years and less than 8 years shall only switch on/off the appliance provided that it has been placed or installed in its intended normal operating position and they have been given supervision or instruction concerning use of the appliance in a safe way and understand the hazards involved.
7. Children aged from 3 years and less than 8 years shall not plug in, regulate and clean the appliance or perform user maintenance.

8. Do not use it in small rooms used by people who are unable to leave such rooms on their own unless they are under constant surveillance or unless the product is in the version with the suffix ED. In this case the heating appliance does feature an external device to control ambient temperature.
9. Before inserting the plug make sure that the voltage is the same as indicated on the device.
10. Do not use in presence of gas, inflammable or explosive liquids or substances.
11. Some fundamental rules which apply to all electrical devices must be observed when using the heater:
  - Do not touch the heater with wet hands.
  - Do not handle with bare feet.
  - Do not pull the electric cord or the device itself to unplug it from the socket; pull the plug directly.
  - Do not let children play with the electrical appliance.
12. Avoid the use of an extension cord with this product, because the extension cord may overheat and cause a risk of fire.
13. Do not apply any modification to the product that could compromise the safety.
14. Keep connections dry.
15. If the appliance is not used for a long period, disconnect it from the power supply.
16. Always disconnect the appliance before doing any maintenance operation.
17. This product should be considered as a supplementary heating appliance and not as a central heating system.

## **2. INSTALLATION**

Installation should always be carried out by a qualified electrician or a competent person in accordance with the standards HD 384 CENELEC for Europe, or international IEC 60346-7-708 1988, and the standard AS/NZS 3000 (Australian wiring rules) and according to the UE 2015/1188 standards. The energy supply must be done through a properly grounded socket. The appliance must be connected to the power supply by a 2 poles + earth H05RN-F 3x1 mm<sup>2</sup> cable, peeling the conductors as shown in fig. 2. The yellow-green conductor

must be connected to the terminal identified by the earth symbol (⊕). Carefully tighten the cable holder, adaptable to a cable of diameter between 8 and 11 mm.

*An overvoltage category III Combined Circuit breaker and Residual Current Device (RCD) with rated earth leakage operation not exceeding 30mA must be fitted upstream on the supply line. The circuit breaker must have a contact opening distance of at least 3 mm.*

### **Wall mounting using the bracket (provided)**



*Make sure that the wall where you plan to mount the appliance is solid, and free of electrical cables or water pipes inside.*

*Be sure that the heater is not facing the ceiling or inflammable substances.*

*When the adjustment has been made, tighten all the screw. This heater is intended for permanent installation.*



**Warning: do not use in a horizontal position, ie with glass parallel to the floor.**

The heater can be installed indoors or outdoors, respecting the distances indicated in fig. 1. *Caution: the distance from the facing surfaces must be greater than one meter.* The appliance must be mounted in such a way that the lamp is on the horizontal plane.

Fasten the bracket to the wall by means of 3 dowels, which must be strongly tightened applying a torque of 15 N-m (fig. 3).

Once the product has been fixed to the wall, adjust the inclinations as shown in Fig.4 and tighten the screws to fix the chosen position.



*Ensure that there is no possibility of inflammable material, combustible material or curtains coming into contact with the heater, or lie near the heater.*

*The appliance must not be located neither directly below, nor in front of a socket-outlet.*

*Do not use the heater directly near a bathtub, a shower, a swimming pool. Ensure that the power cable cannot*

*come into contact with the reflector of the appliance and does not intrude into the area of light flux.*

### 3. TECHNICAL FEATURES

The infrared heater range is constituted by die-cast aluminium body and frame. The reflector is made of aluminium sheet characterized by a high purity degree. The appliance is equipped with a tempered front safety glass. The heating element consists of an infrared lamp with R7s connection.

<b>Power supply</b>	220-240 V ~ 50-60 Hz
<b>Power</b>	1 x 800 W
<b>Lamp</b>	infrared
<b>Range</b>	4 ÷ 6 m <sup>2</sup>
<b>Weight</b>	3.5 kg

### 4. USE INSTRUCTIONS

*All irradiation heaters are designed to achieve and maintain a certain thermal comfort to the people who need it both outside and inside. It is therefore very important to carefully study the area where people stay and consequently direct the radiation towards them.*

Switch on the heater simply by connecting to the power supply; ensure that the rays of the heater are directed towards the area it is wished to heat; if necessary, change the angle of inclination by acting on the screws of the support.

Do not touch the metallic parts when the heater is working; in unoccupied premises it is recommended that the heating system is switched off by disconnecting from the electrical supply.



*Avoid exposing skin to the rays of the appliance for distances less than 50 cm.*

*Avoid exposing eyes to the rays of the appliance for distances less than 2.70 m.*

*All users should be made aware of all aspects of operation and safety and these instructions should be retained for reference.*

## **5. MAINTENANCE**

The IR heater contains no moving parts and therefore very little maintenance is required other than to ensure that there is no excessive build-up of dust/dirt on the reflector or emitter as this can cause overheating and premature emitter failure. To clean the appliance, wipe off with a damp cloth. Wait until it is completely dry before connecting to the power supply.

## **6. EMITTER REPLACEMENT**

The emitter used in the IR heater is robust and if knocks and shock vibrations are avoided, it will last for around 5 000 hours. The emitter is not intended to be user replaceable; for replacement or repairs, contact only the Mo-El service network.

## **7. ENVIRONMENTALLY COMPATIBLE DISPOSAL OF THE APPLIANCE**

*This product conforms to EU Directive 2002/96/EC.*

This appliance bears the symbol of the barred waste bin. This indicates that, at the end of its useful life, it must not be disposed of as domestic waste, but must be taken to a collection centre for waste electrical and electronic equipment, or returned to a retailer on purchase of a replacement. It is the user's responsibility to dispose of this appliance through the appropriate channels at the end of its useful life. Failure to do so may incur the penalties established by laws governing waste disposal.

Proper differential collection, and the subsequent recycling, processing and environmentally compatible disposal of waste equipment avoids unnecessary damage to the environment and possible related health risks, and also promotes recycling of the materials used in the appliance. For further information on waste collection and disposal, contact your local waste disposal service, or the shop from which you purchased the appliance.

Manufacturers and importers fulfil their responsibilities for recycling, processing and environmentally compatible disposal either directly or by participating in collective systems.

Data	Symbol	Value	Unit
		778A 778AED	
Thermal power			
Nominal thermal power	$P_{nom}$	0.8	kW
Minimum thermal power(indicative)	$P_{min}$	0.8	kW
Maximum continuous thermal power	$P_{max c}$	0.8	kW
Auxiliary consumption of electricity			
At normal thermal power	$el_{max}$	0	kW
At minimum thermal power	$el_{min}$	0	kW
StandBy mode	$el_{SB}$	0	kW

	778A		778AED	
Type of heat output/room temperature control				
	YES	NO	YES	NO
Single stage heat output, no room temperature control	X			X
Two or more manual stages, no room temperature control		X		X
With mechanic thermostat room temperature control		X		X
With electronic room temperature control		X		X
With electronic room temperature control plus day timer		X		X
With electronic room temperature control plus week timer		X	X	
Other control options				
	YES	NO	YES	NO
Room temperature control, with presence detection		X		X
Room temperature control, with open window detection		X	X	
With distance control option		X		X
With adaptive start control		X		X
With working time limitation		X		X
With black bulb sensor		X		X

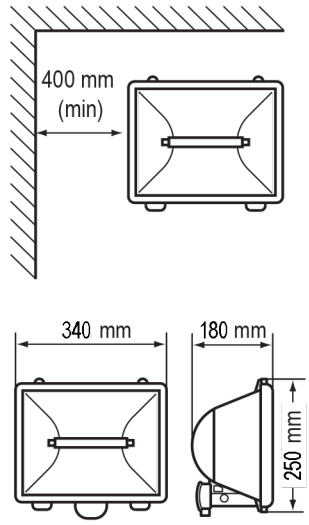
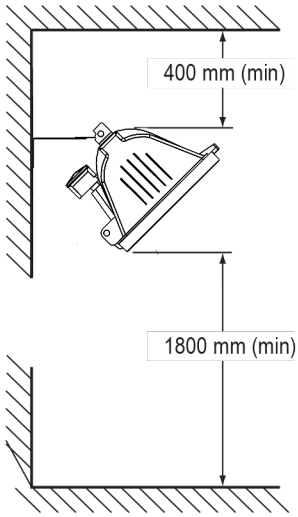


Fig. 1

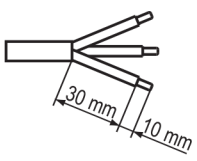


Fig. 2

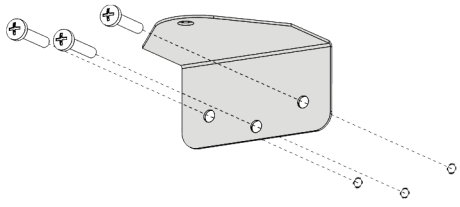


Fig. 3

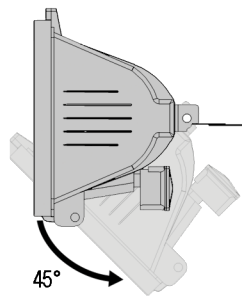
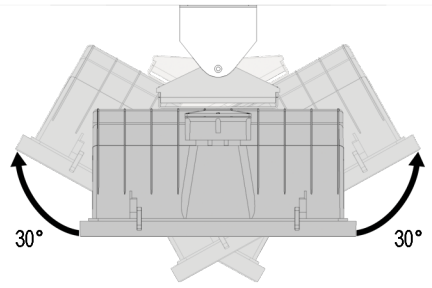


Fig. 4