

Installation, use and maintenance manual

Gitié ARAY

Integrated package for outdoor installation

with absorption heat pump and gas condensing boiler



DISPOSAL

The appliance and all its accessories must be disposed of separately in accordance with the regulations in force.



Use of the WEEE symbol (Waste Electrical and Electronic Equipment) indicates that this product cannot be disposed of as household waste. Proper disposal of this product helps to prevent potential negative consequences for the environment and human health.

Revision: C

Code: D-LBR729

This Installation, use and maintenance manual has been drawn up and printed by Robur S.p.A.; whole or partial reproduction of this Installation, use and maintenance manual is prohibited.

The original is filed at Robur S.p.A.

Any use of this Installation, use and maintenance manual other than for personal consultation must be previously authorised by Robur S.p.A.

The rights of those who have legitimately filed the registered trademarks contained within this publication are not affected.

With the aim of continuously improving the quality of its products, Robur S.p.A. reserves the right to modify the data and contents of this Installation, use and maintenance manual without prior notice.

INDEX OF CONTENTS

I Introduction	p. 4
I.1 Recipients	p. 4
I.2 Control device	p. 4
II Symbols and definitions	p. 4
II.1 Key to symbols	p. 4
II.2 Terms and definitions	p. 4
III Warnings	p. 4
III.1 General and safety warnings	p. 4
III.2 Conformity	p. 6
III.3 Exclusions of liability and warranty.....	p. 6
1 Features and technical data	p. 7
1.1 Features	p. 7
1.2 Dimensions	p. 8
1.3 Components	p. 10
1.4 Wiring diagrams	p. 14
1.5 Electronic boards	p. 18
1.6 Controls	p. 20
1.7 Technical characteristics.....	p. 21
2 Transport and positioning	p. 23
2.1 Warnings	p. 23
2.2 Handling.....	p. 23
2.3 Appliance positioning.....	p. 24
2.4 Minimum clearance distances.....	p. 24
2.5 Mounting base.....	p. 24
3 Heating engineer	p. 25
3.1 Warnings	p. 25
3.2 Hydraulic system.....	p. 25
3.3 Hydraulic connections	p. 25
3.4 Water circulation pumps	p. 26
3.5 Antifreeze function.....	p. 26
3.6 Antifreeze liquid	p. 27
3.7 System water quality	p. 27
3.8 System filling	p. 28
3.9 Fuel gas supply	p. 28
3.10 GAHP-AR unit combustion products exhaust	p. 29
3.11 AY00-120 unit combustion products exhaust	p. 29
3.12 Possible flue	p. 29
3.13 AY00-120 Unit flue gas condensate discharge	p. 30
3.14 Defrosting water drainage.....	p. 30
4 Electrical installer	p. 30
4.1 Warnings	p. 30
4.2 Electrical systems	p. 30
4.3 Electrical power supply.....	p. 31
4.4 Set-up and control.....	p. 31
4.5 Water circulation pumps (versions C0)	p. 33
5 First start-up	p. 34
5.1 Preliminary checks.....	p. 34
5.2 Electronic adjustment on the machine - Menus and parameters of the S61 board and of the AY10 board	p. 35
5.3 Modifying settings.....	p. 36
6 Normal operation	p. 36
6.1 Warnings	p. 36
6.2 Switch on and off	p. 36
6.3 Modifying settings.....	p. 37
6.4 Efficiency	p. 37
7 Maintenance	p. 37
7.1 Warnings	p. 37
7.2 Pre-emptive maintenance	p. 37
7.3 Scheduled routine maintenance.....	p. 38
7.4 Messages on the display	p. 38
7.5 Restarting a locked-down unit.....	p. 38
7.6 Periods of inactivity.....	p. 38
8 Diagnostics	p. 39
8.1 Operative codes.....	p. 39
9 Appendices	p. 43
9.1 Product fiche.....	p. 43

I INTRODUCTION



Manual

This Manual is an integral part of the Gitié ARAY unit and must be handed to the end user together with the appliance.

I.1 RECIPIENTS

This Manual is intended for:

- ▶ End user, for appropriate and safe use of the appliance.
- ▶ Qualified installer, for correct appliance installation.
- ▶ Planner, for specific information on the appliance.

I.2 CONTROL DEVICE

In order to be able to work, the ARAY unit needs a control device (DDC or external requests), which must be connected by the installer.

II SYMBOLS AND DEFINITIONS

II.1 KEY TO SYMBOLS



DANGER



WARNING



NOTE



PROCEDURE



REFERENCE (to other document)

II.2 TERMS AND DEFINITIONS

Gitié ARAY Appliance / Unit = equivalent terms, both used to designate the integrated package consisting of a GAHP-AR unit and a AY00-120 condensing boiler.

GAHP Appliance/Unit = equivalent terms, both used to designate the gas powered absorption heat pump GAHP (Gas Absorption Heat Pump).

AY00-120 Boiler / Unit = equivalent terms, both used to designate the AY00-120 condensing boiler.

TAC = Technical Assistance Centre authorised by Robur.

External enable = generic control device (e.g. thermostat, clock or any other system) equipped with a voltage-free NO contact and used as control to start/stop the GAHP/GA unit and the AY00-120 boiler.

DDC Control (Direct Digital Controller) = optional Robur adjustment device to control one or more Robur appliances (GAHP heat pumps, GA chillers and AY00-120 boilers) in ON/OFF mode.

RB100/RB200 Devices (Robur Box) = optional interface devices complementary to DDC, which may be used to broaden its functions (heating/cooling/DHW production service demands, and control of system components such as third party generators, adjustment valves, circulators, probes).

Thermal generator = equipment (e.g. boiler, heat pump, etc..) for heat production for heating and/or DHW.

GUE (Gas Utilization Efficiency) = efficiency index of gas heat pumps, equal to the ratio between the thermal energy produced and the energy of the fuel used (relative to LCV, lower calorific value).

First start-up = appliance commissioning operation which may only and exclusively be carried out by a TAC.

S61/AR11 Boards = electronic boards on the GAHP unit, to control all functions and to provide interface with other devices and with the user.

S70/AY10 Boards = electronic boards on the AY00-120 boiler, to control all functions and to provide interface with other devices and with the user.

III WARNINGS

III.1 GENERAL AND SAFETY WARNINGS



Installer's qualifications

Installation must exclusively be performed by a qualified firm and by qualified personnel, with specific knowledge on heating, cooling, electrical systems and gas appliances, in compliance with the laws in force in the Country of installation.



Declaration of conformity

Upon completing installation, the installing firm shall issue to the owner/client the appliance's workmanlike conformity declaration, according to national/local regulations in force and the manufacturer's instructions/

provisions.



Misuse

The appliance must only be used for the purposes for which it has been designed. Any other use is deemed hazardous. Incorrect use may affect operation, duration and safety of the appliance. Adhere to the manufacturer's instructions.



Hazardous situations

- Do not start the appliance in hazardous conditions, such as: gas smell, problems with the plumbing/electrical/gas system, parts of the appliance under water or damaged, malfunctioning, disabling or bypassing control and safety devices.
- In case of danger, request intervention by qualified

personnel.

- In case of danger, switch off the electrical power and gas supplies only if this can be done in total safety.
- Do not entrust children, persons with physical, sensory or mental disabilities or persons with poor knowledge and experience with use of the appliance.



Gas component tightness

- Before performing any operation on gas ducting components, close the gas valve.
- Upon completing any procedure, perform the tightness test according to regulations in force.



Gas smell

If you smell gas:

- Do not use electrical devices such as telephones, multimeters or other equipment that may cause sparks next to the appliance.
- Shut off the gas supply by turning the valve off.
- Disconnect electrical power supply by means of the external isolation switch in the power supply electrical panel.
- Use a telephone away from the appliance to ask for intervention from qualified personnel.



Poisoning

- Ensure the flue gas ducts are tightness and compliant with the regulations in force.
- Upon completing any procedure, ensure components are tightness.



Moving parts

The appliance contains moving parts.

- Do not remove guards during operation, and in any case prior to disconnecting the power supply.



Burn hazard

The appliance contains very hot parts.

- Do not open the appliance and do not touch internal components before the appliance has cooled down.
- Do not touch the flue gas exhaust before it has cooled down.



Pressure vessels

The appliance has a sealed circuit classified as pressure vessel, the tightness of which is tested by the manufacturer.

- Do not carry out any intervention on the sealed circuit or on the appliance's valves.



Water-ammonia solution

The GAHP/GA unit uses the ammonia-water absorption cycle. The water-ammonia solution is contained in the sealed circuit. The solution is harmful for health if it is ingested, inhaled or comes in contact with the skin.

- In the event of coolant leak keep away and disconnect the power and gas supply (only if it is possible to do so with no danger).
- Ask for TAC intervention.



Electrocution hazard

- Disconnect the electrical power supply before any operation on appliance components.
- For electrical connections exclusively use compliant components and according to the specifications provided by the manufacturer.
- Ensure the appliance cannot be accidentally switched back on.



Earthing

Electrical safety depends on effective earthing system, correctly connected to the appliance and installed according to the regulations in force.



Distance from combustible or flammable materials

- Do not deposit flammable materials (paper, diluents, paints, etc.) near the appliance.



Limescale and corrosion

Depending on the chemical/physical properties of the system water, limescale or corrosion may damage the appliance (Paragraph 3.7 p. 27).

- Check system sealing.
- Avoid frequent top-ups.



Chloride concentration

The concentration of chlorides or free chlorine in the system water must not exceed the values in Table 3.2 p. 27.



Aggressive substances in the air

Halogenated hydrocarbons containing chlorine and fluorine compounds cause corrosion. The air of the installation site must be free from aggressive substances.



Acid flue gas condensate

- Discharge the acid condensate of combustion flue gas, as indicated in Paragraph 3.13 p. 30, in compliance with current exhaust regulations.



Switching the appliance off

Disconnecting the power supply while the appliance is running may cause permanent damage to internal components.

- Except in the case of danger, do not disconnect the power supply to switch off the appliance, but always and exclusively act through the provided control device (DDC or external request).



In the event of failure

Operations on internal components and repairs may exclusively be carried out by a TAC, using only original parts.

- In the event of failure of the appliance and/or breakage of any component, do not attempt to repair and/or restore and immediately contact the TAC.

**Routine maintenance**

Proper maintenance assures the efficiency and good operation of the appliance over time.

- Maintenance must be performed according to the manufacturer's instructions (see Chapter 7 p. 37) and in compliance with current regulations.
- Appliance maintenance and repairs may only be entrusted to firms legally authorised to work on gas appliances and systems.
- Enter into a maintenance contract with an authorised specialised firm for routine maintenance and for servicing in case of need.
- Use only original parts.

**Decommissioning and disposal**

If the appliance is to be disposed of, contact the manufacturer for its disposal.

**Keep the Manual**

This Installation, use and maintenance manual must always accompany the appliance and must be handed to the new owner or installer in the event of sale or removal.

- ▶ Any other applicable law, standard and regulation.

III.3 EXCLUSIONS OF LIABILITY AND WARRANTY

Any contractual or extra-contractual liability of the manufacturer for any damage caused by incorrect installation and/or improper use and/or failure to comply with regulations and with the manufacturer's directions/instructions shall be disclaimed.



In particular, the warranty on the appliance may be rendered void by the following conditions:

- Incorrect installation.
- Misuse.
- Failure to comply with the manufacturer's indications on installation, use and maintenance.
- Alteration or modification of the product or any part thereof.
- Extreme operational conditions or however outside of the operational ranges set forth by the manufacturer.
- Damages caused by external agents such as salts, chlorine, sulphur or other chemical substances contained in the installation water or present in the air of the installation site.
- Abnormal actions transmitted to the appliance by the plant or installation (mechanical stresses, pressure, vibrations, thermal expansion, electrical surges...).
- Accidental damages or due to force majeure.

III.2 CONFORMITY**EU Directives and standards**

I gruppi integrati Gitié sono sono certificati in conformità alla norma EN 12309 e rispondono ai requisiti essenziali delle seguenti Direttive:

- ▶ 2016/426/EU "Gas Appliances Regulation" as amended and added.
- ▶ 2014/30/EC "Electromagnetic Compatibility Directive" as amended and added.
- ▶ 2014/35/EC "Low Voltage Directive" as amended and added.
- ▶ 2006/42/EC "Machine Directive" as amended and added.
- ▶ 2014/68/EU "Pressure Equipment Directive" as amended and added.
- ▶ 811/2013/EU "Energy-Related Products regulation" as amended and added.
- ▶ 813/2013/EU "Ecodesign requirements regulation" as amended and added.

Furthermore, they comply with the requirements of the following standards:

- ▶ EN 677 Specific requirements for condensing boilers with nominal heat input up to 70 kW.
- ▶ EN 378 Refrigerating systems and heat pumps.
- ▶ EN 483 Type C boilers of nominal heat input not exceeding 70 kW.
- ▶ EN 15502 Gas-fired central heating boilers.

Other applicable provisions and standards

The design, installation, operation and maintenance of the systems shall be carried out in compliance with current applicable regulations, depending on the Country and location, and in accordance with the manufacturer's instructions. In particular, regulations regarding the following shall be complied with:

- ▶ Gas systems and equipment.
- ▶ Electrical systems and equipment.
- ▶ Heating and air conditioning systems, and heat pumps.
- ▶ Environmental protection and combustion products exhaust.
- ▶ Fire safety and prevention.

1 FEATURES AND TECHNICAL DATA

The Gitié ARAY package consists of a heat pump GAHP-AR and a condensing boiler AY00-120.

1.1 FEATURES

1.1.1 GAHP-AR Unit features

Operation

Based on the thermodynamic water-ammonia absorption cycle (H₂O–NH₃), the appliance alternatively produces hot water or chilled water with (seasonal) switching of the hot/cold cycle, using outdoor air as a renewable energy source and natural gas (or LPG) as primary energy.

The thermodynamic cycle takes place within a hermetically sealed circuit, in welded construction, perfectly tight, factory-tested, which does not require any maintenance or coolant top-ups.

The GAHP-AR unit, for heating and/or cooling systems, is able to alternatively (not simultaneously) provide:

- ▶ Hot water up to 60 °C.
- ▶ Chilled water up to +3 °C.

Mechanical and thermo-hydraulic components

- ▶ Steel sealed circuit, externally treated with epoxy paint.
- ▶ Multigas pre-mixing burner equipped with ignition and flame detection managed by an electronic control unit.
- ▶ Titanium stainless steel shell-and-tube water heat exchanger, externally insulated.
- ▶ Air exchanger with finned coil, with steel pipe and aluminium fins.
- ▶ Inversion valve on the cooling circuit, for use of the appliance in heating or cooling mode.
- ▶ Automatic microprocessor-controlled finned coil defrosting valve.
- ▶ Variable-flow (for summer operation) microprocessor-controlled helicoidal motor-fan.
- ▶ Standard or S silenced fan (reduction of electrical consumption and reduction of sound emission).

Control and safety devices

- ▶ S61 electronic board with microprocessor, LCD display and knob.
- ▶ Auxiliary AR11 electronic board.
- ▶ Circuit water flow switch.
- ▶ Generator limit thermostat, with manual reset.
- ▶ PT1000 flue gas temperature probe.
- ▶ Differential flue gas pressure switch on the combustion circuit.
- ▶ Sealed circuit safety relief valve.
- ▶ Bypass valve, between high and low-pressure circuits.

Table 1.1 Gitié ARAY package versions

Version	Pipes	Circulating pumps	Motorised 2-way valves	Hydraulic circuits	Simultaneous operation	Fan
/4 C0	4	No	No	independent	Yes	standard
/4 C0 S	4	No	No	independent	Yes	silenced
/4 C1	4	Yes	No	independent	Yes	standard
/4 C1 S	4	Yes	No	independent	Yes	silenced
/2 C0	2	No	Yes	single	No ⁽¹⁾	standard
/2 C0 S	2	No	Yes	single	No ⁽¹⁾	silenced
/2 C1	2	Yes	No	single	No ⁽¹⁾	standard
/2 C1 S	2	Yes	No	single	No ⁽¹⁾	silenced

(1) In 2 pipe versions operation may only be simultaneous when the GAHP-AR unit operates in heating mode.

- ▶ Ionization flame control box.
- ▶ Double shutter electric gas valve.
- ▶ Antifreeze functions for hydraulic circuit.

1.1.2 AY00-120 Unit features

Operation

The AY00-120 unit is a high efficiency condensing boiler suitable for supply hot water up to 80 °C. The appliance is provided with an internal heat exchanger to separate internal hydraulic circuit from system hydraulic circuit.

Mechanical and thermo-hydraulic components

- ▶ Premixed multigas burner with low NO_x and CO emissions.
- ▶ Stainless steel plate heat exchanger, which also acts as a hydraulic separator.
- ▶ Automatic and manual air vent devices on the appliance internal circuit.
- ▶ Flue gas exhaust duct with relevant terminal, for type B53P configuration.
- ▶ Condensate discharge siphon (with antifreeze protection).

Control and safety devices

- ▶ Electronic board with microprocessor.
- ▶ Automatically resettable water temperature limit thermostat.
- ▶ Flue gas limit thermostat, for single use (thermal switch).
- ▶ System circuit water differential pressure switch (PD1).
- ▶ Appliance internal circuit water differential pressure switch (PD2) with anti-welding function.
- ▶ Overpressure valve for the appliance internal circuit, set to trip at 3 bar.
- ▶ Appliance internal circuit expansion tank.
- ▶ Ionization flame control box.
- ▶ Double shutter electric gas valve.
- ▶ Antifreeze functions for hydraulic circuit.
- ▶ Antifreezing thermostat for the heating element on the condensate siphon.

1.1.3 ARAY Integrated package features

The Gitié group is available in the following versions (Figure 1.6 p. 11):

- ▶ **Basic version (/4 C0)**
- ▶ **Version KIT/4 C1**
- ▶ **Version KIT/2 C0**
- ▶ **Version KIT/2 C1**

In all versions units operation may be simultaneous or independent.

The Table 1.1 p. 7 shows the features of the various versions in detail.

1.2 DIMENSIONS

Figure 1.1 Size (Standard ventilation)

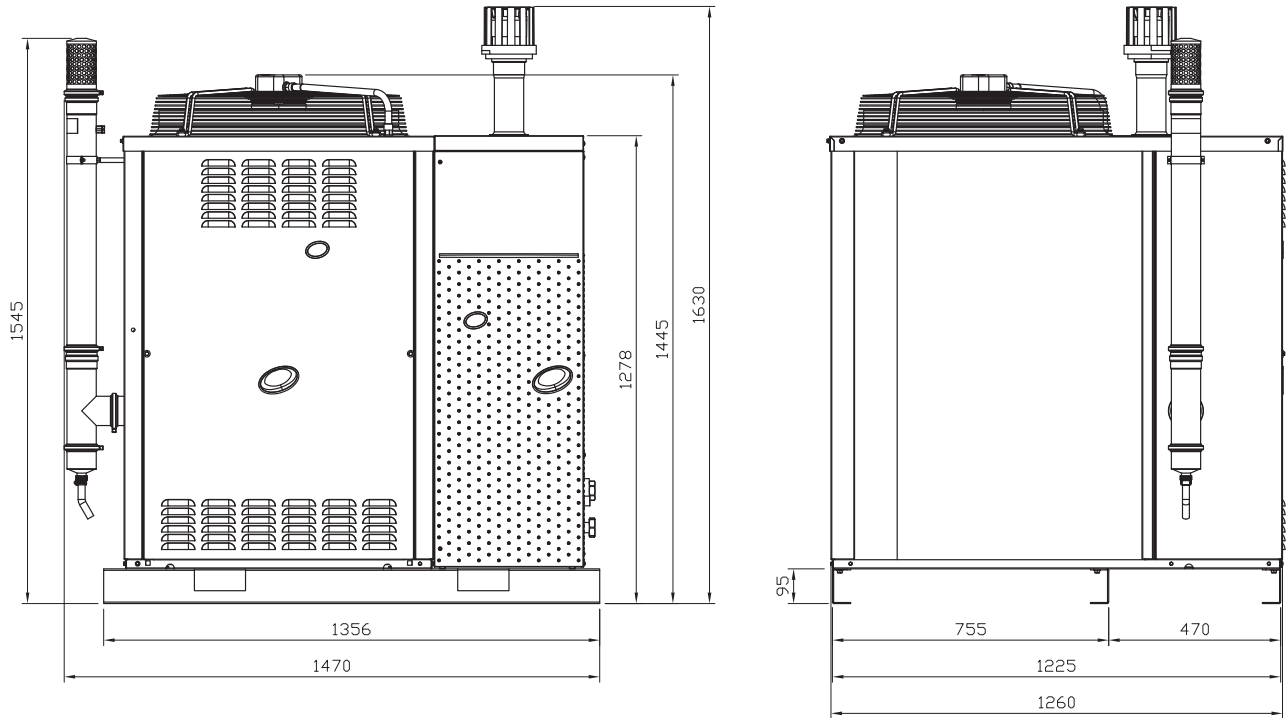


Figure 1.2 Dimensions (silenced fan)

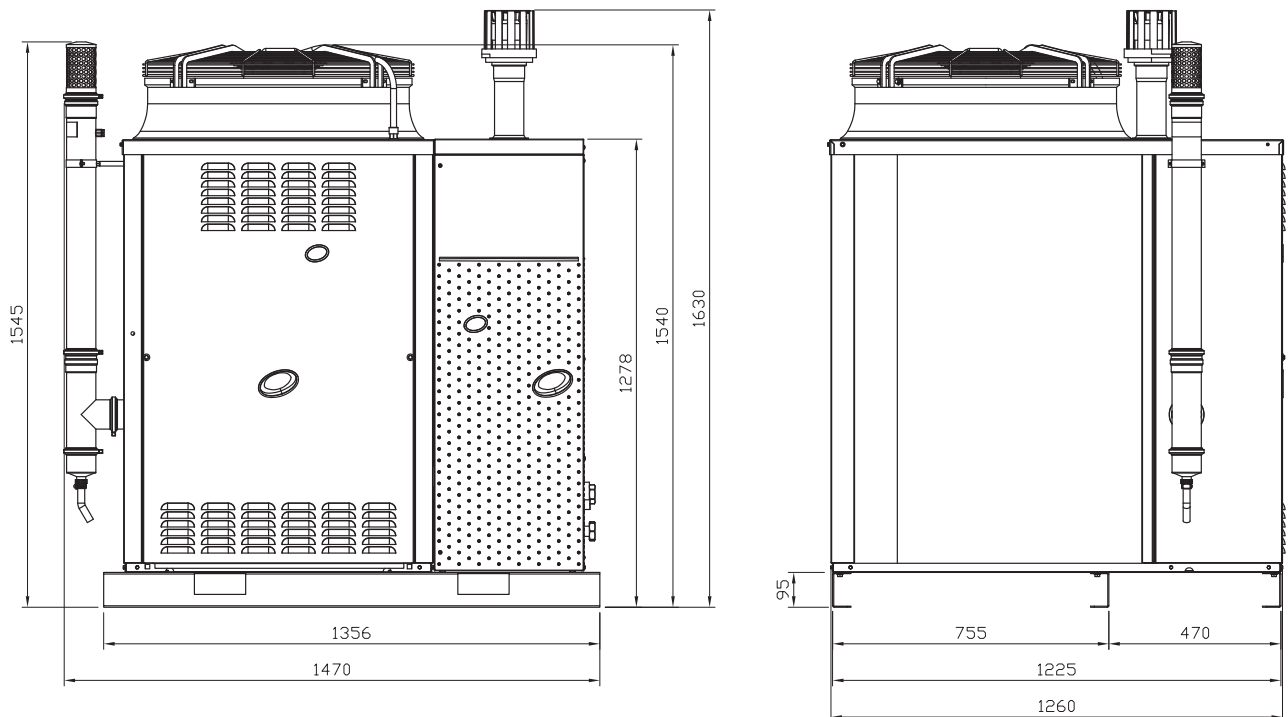
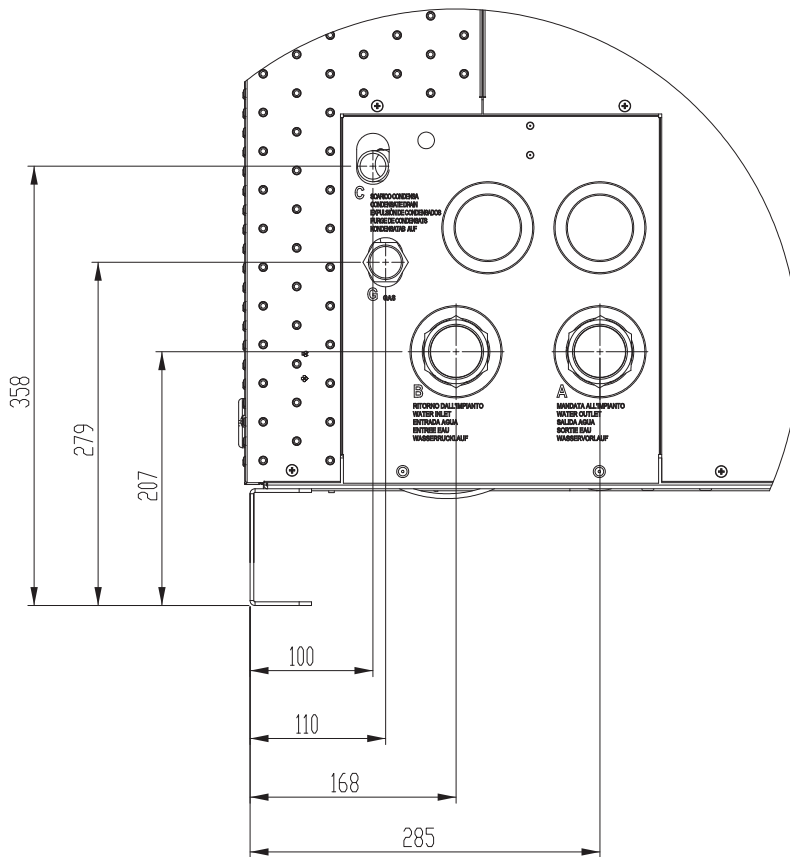
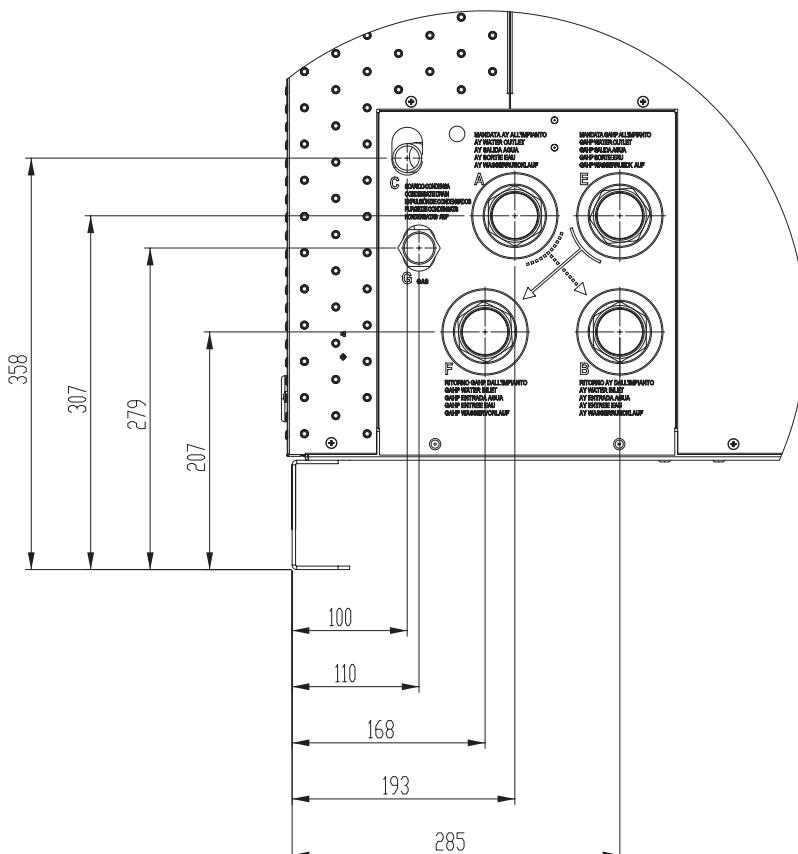


Figure 1.3 Service plate 2-pipe group (KIT/2 C0 and C1) - Detail of water/gas fittings



- A Outlet water fitting Ø 1 1/2" F
- B Inlet water fitting Ø 1 1/2" F
- C Boiler condensate drain AY00-120
- G Gas fitting Ø 3/4" M

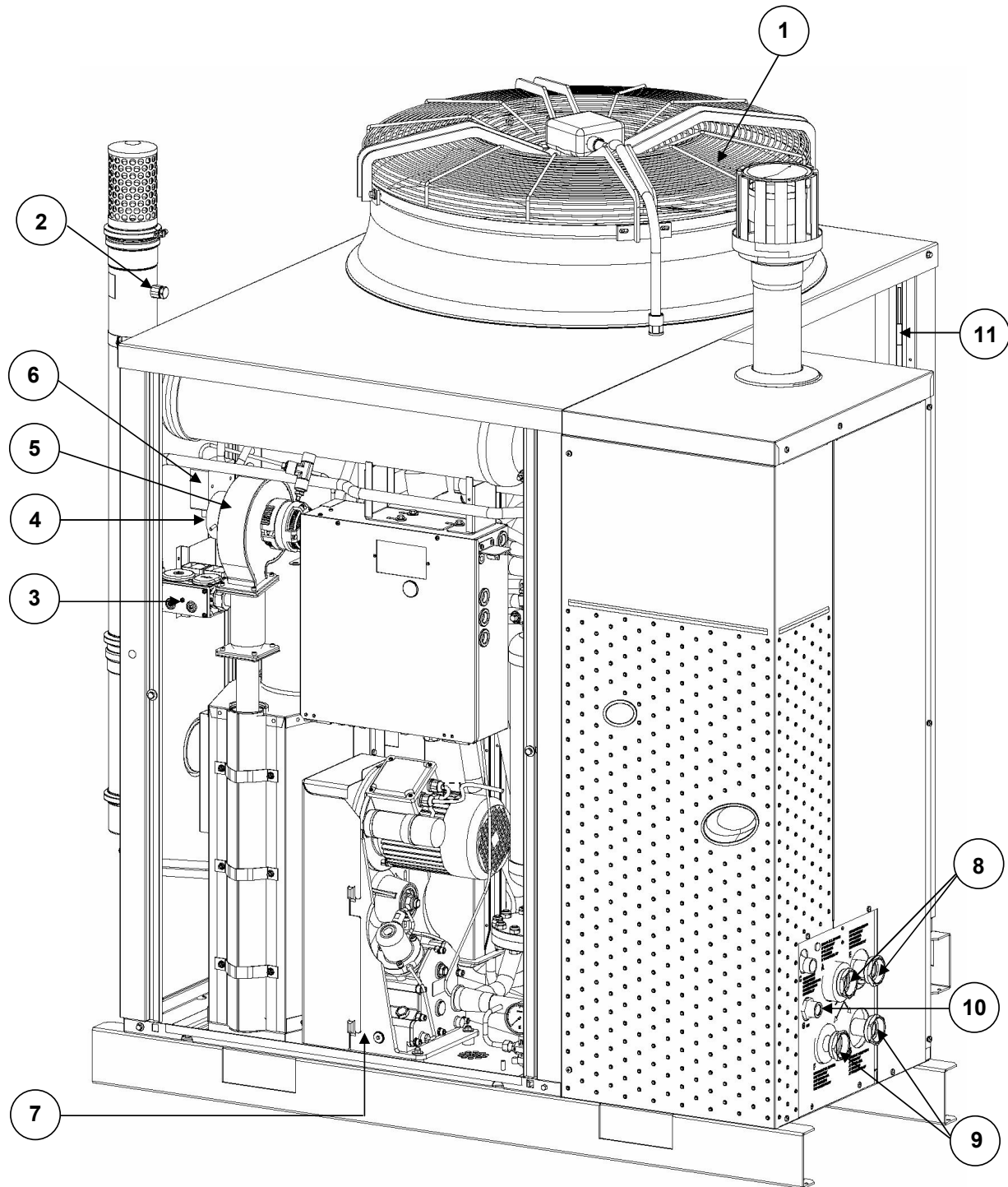
Figure 1.4 Service plate 4-pipe group (base version and KIT/4 C1) - Detail of water/gas fittings



- A AY - Water outlet fitting Ø 1 1/4" F
- B AY - Water inlet fitting Ø 1 1/4" F
- C Boiler condensate drain AY00-120
- E GAHP/GA - Water outlet fitting Ø 1 1/4" F
- F GAHP/GA - Water inlet fitting Ø 1 1/4" F
- G Gas fitting Ø 3/4" M

1.3 COMPONENTS

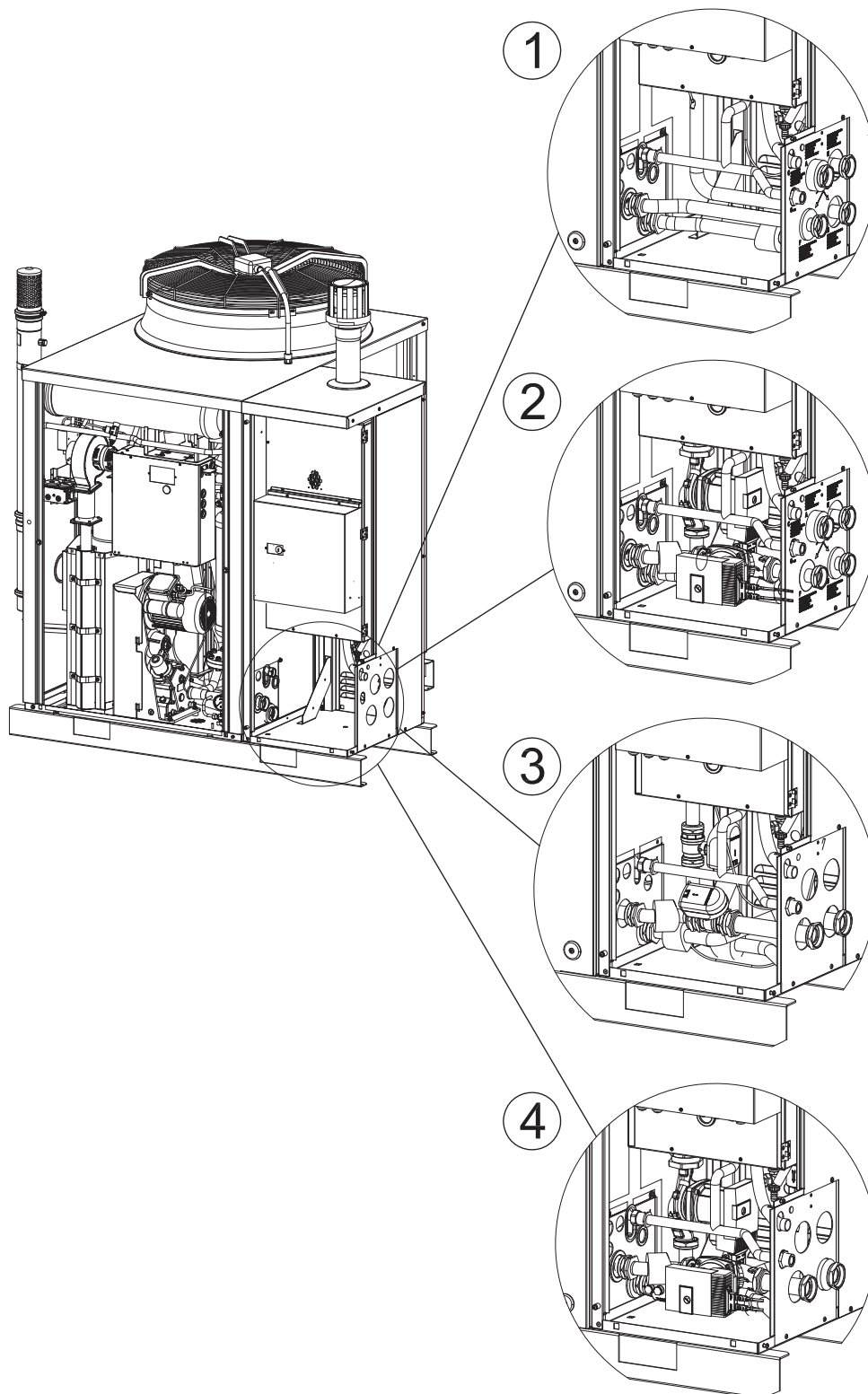
Figure 1.5 Internal components - front view



- 1 Fan (silenced version)
- 2 Tapping point for flue analysis
- 3 Gas valve
- 4 Combustion air hose
- 5 Combustion blower
- 6 Ignition transformer

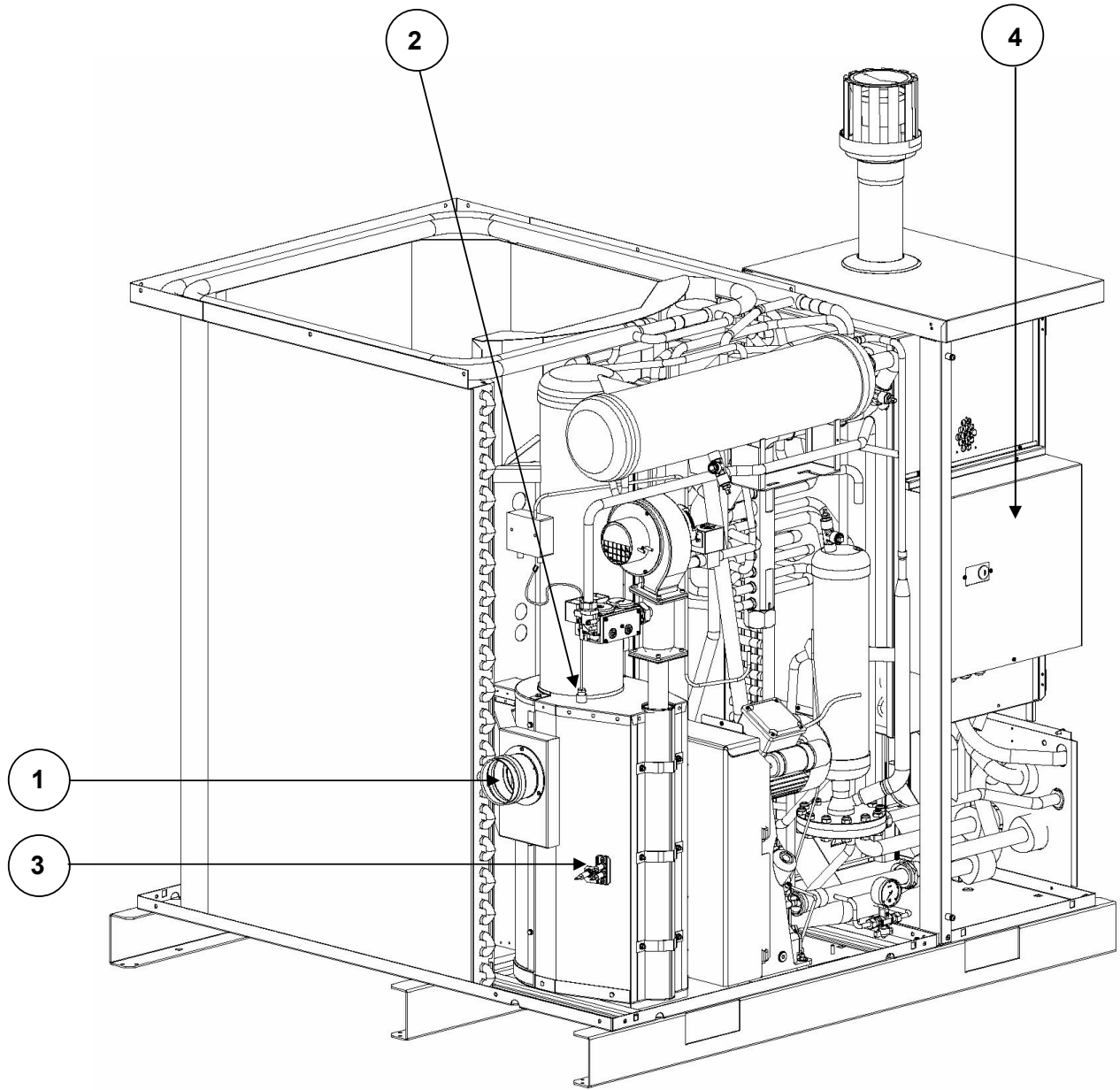
- 7 Oil pump
- 8 Water delivery fitting: 1 1/4" F
- 9 Water return fitting: 1 1/4" F
- 10 Gas connection
- 11 TA outdoor temperature probe

Figure 1.6 Version components



- 1 BASE version (2 independent circuits without circulating pumps)
- 2 Kit/4 C1 (2 independent circuits with onboard circulating pumps)
- 3 Kit/2 C0 (single circuit with two 2-way motorised valves)
- 4 Kit/2 C1 (single circuit with onboard circulating pumps)

Figure 1.7 Internal components - left side view



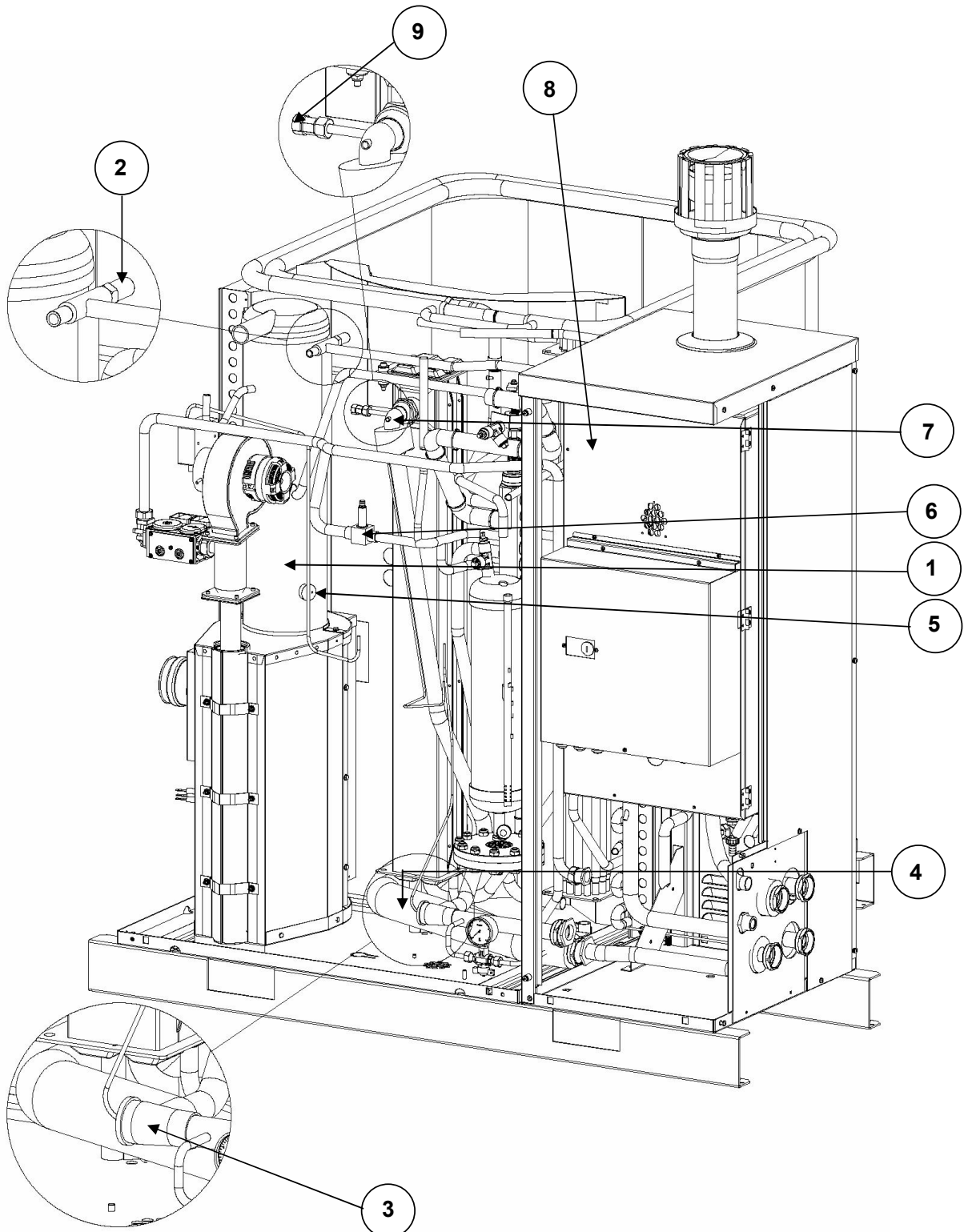
1 Ø 80mm flue gas exhaust

2 PT1000 flue exhaust temperature probe

3 Flame sensor / ignition electrodes

4 Electrical panel

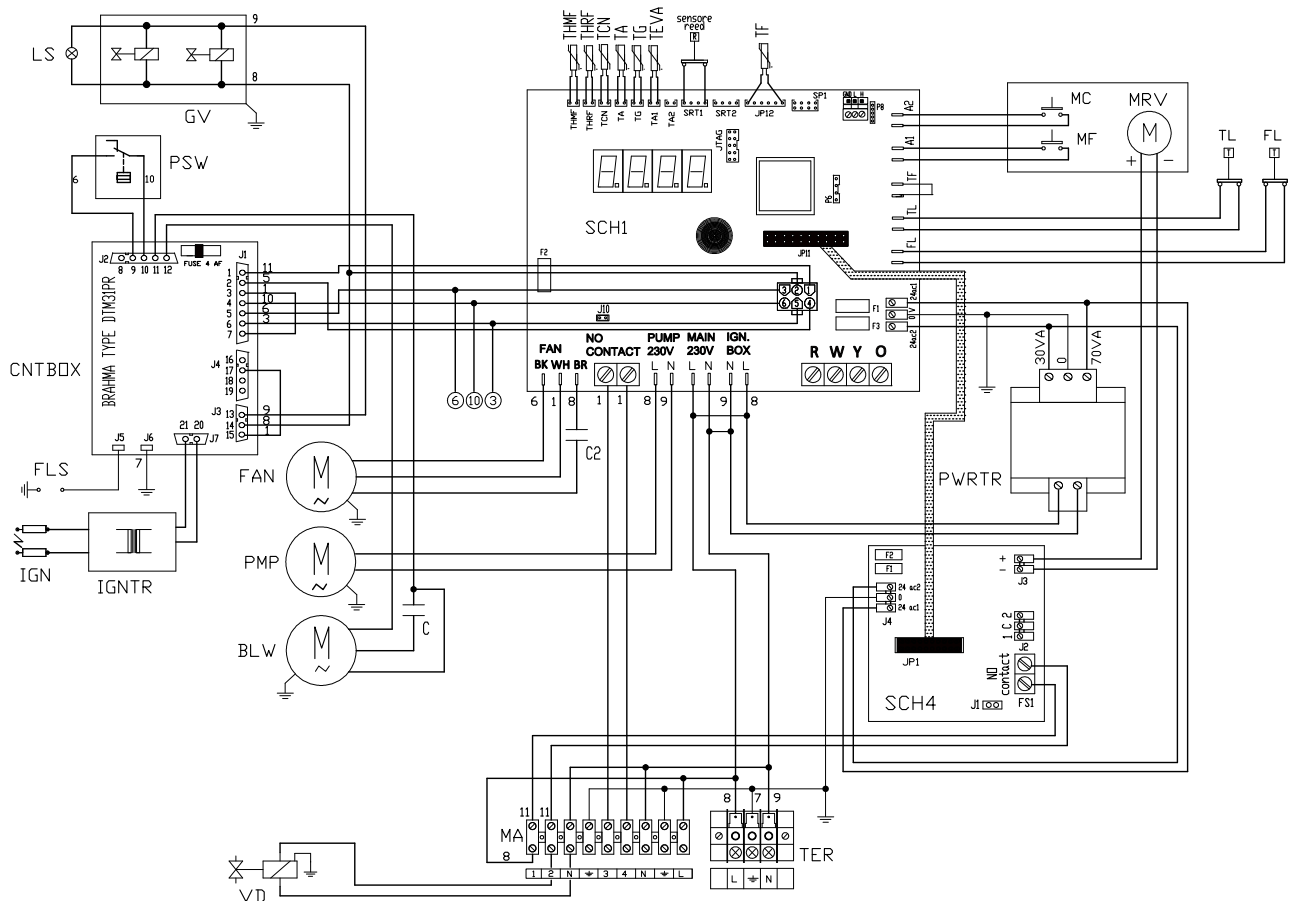
Figure 1.8 Internal components - right side view



- | | | | |
|---|--------------------------------|---|-----------------------------------|
| 1 | TG generator temperature probe | 6 | Defrosting valve |
| 2 | Safety valve | 7 | Return temperature probe |
| 3 | Flow switch | 8 | Teva evaporator temperature probe |
| 4 | Flow temperature probe | 9 | Air-vent manual valve |
| 5 | Limit thermostat | | |

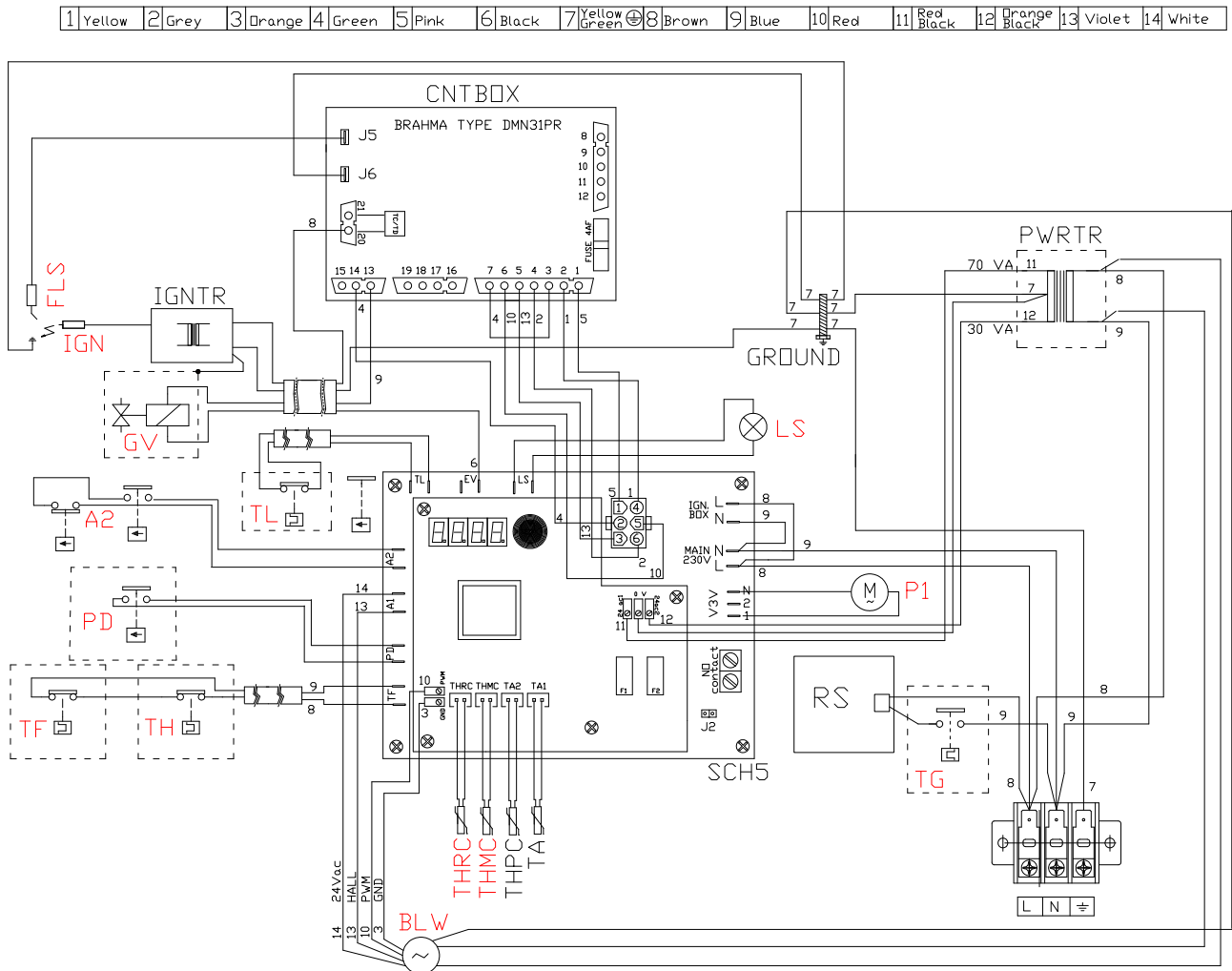
1.4 WIRING DIAGRAMS

Figure 1.9 Unit GAHP-AR wiring diagram



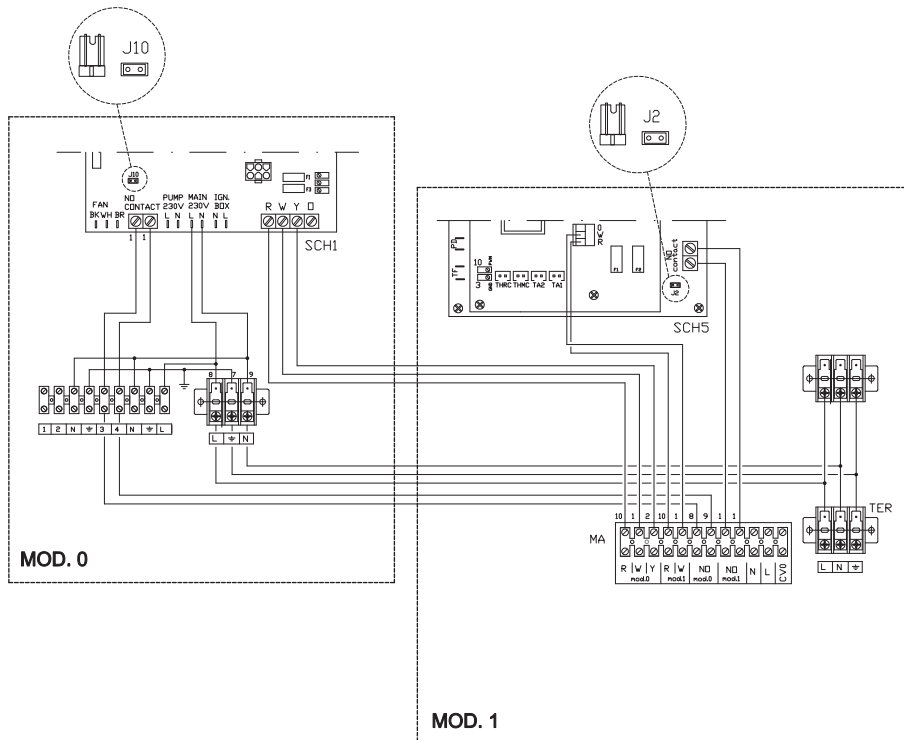
SCH1	Controller S61	GV	Gas solenoid valve	TA	Ambient air temperature sensor
SCH4	AR11 electronic board	TL	Generator limit thermostat	TG	Generator temperature sensor
TER	Power supply terminal block	FL	Water flow switch	TEVA	Evaporator outlet temperature sensor
CNTBOX	Flame control unit	VD	Defrosting valve	TF	Fumes temperature sensor or generator fin sensor
PWRTR	Board transformer	FAN	Fan	MRV	Valve inversion gear motor
BLW	Blower	C	Condenser	MC	Hot limit switch
PMP	Oil pump	C2	Fan condenser	MF	Cold limit switch
IGNTR	Ignition transformer	PSW	Air pressure switch	MA	Terminal block
IGN	Ignition electrodes	THMF	Outlet water temperature probe	REED	Oil pump rotation sensor
FLS	Flame sensor	THRF	Inlet water temperature probe		
LS	Gas valve ON indicator lamp	TCN	Condenser outlet temperature probe		

Figure 1.10 Gitié package wiring diagram (unit AY00-120)



SCH5	electronic boards S70+AY10	TF	exhausted gas thermostat	IGNTR	ignition transformer
TA	room temperature probe	PD	differential water pressure switch (appliance internal circuit)	IGN	ignition electrodes
THPC	delivery water temperature probe (appliance internal circuit)	A2	differential water pressure switch (system circuit)	FLS	flame sensor
THMC	output water temperature probe (system circuit)	TL	water limit thermostat (appliance internal circuit)	CNTBOX	flame control unit
THRC	input water temperature probe (system circuit)	P1	water circulator (appliance internal circuit)	BLW	blower
TH	combustion unit limit thermostat (appliance internal circuit)	LS	gas valve ON signal lamp	MC	230Vac power supply terminal box
		GV	gas solenoid valve	PWRTR	board transformer
				TG	antifreeze thermostat for syphon resistance
				RS	syphon resistance

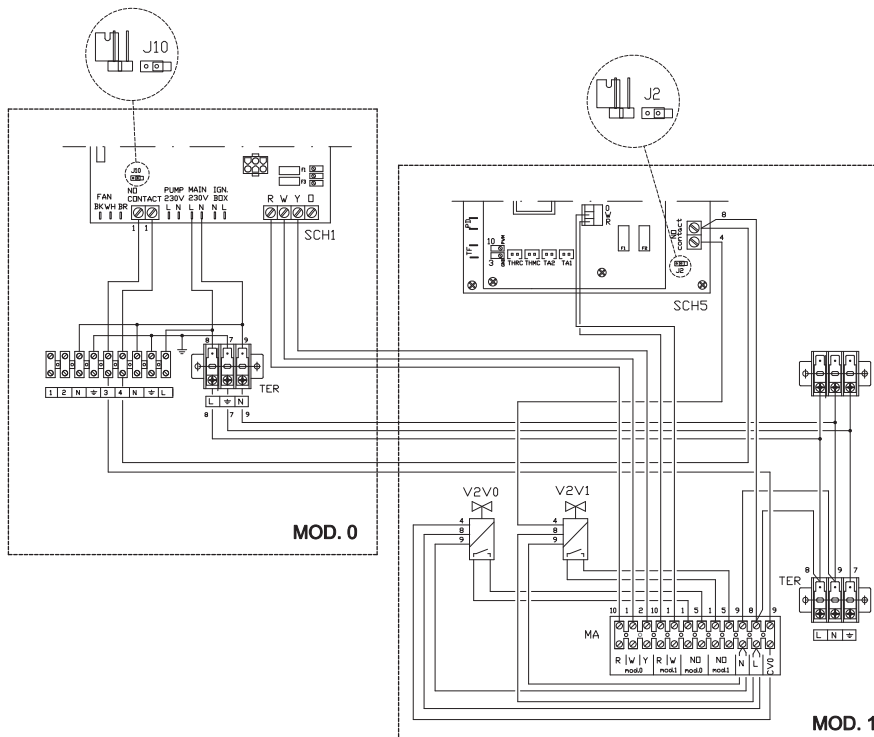
Figure 1.11 Gitié package wiring diagram - base version



MA Terminal block
 MOD.0 GAHP or ACF unit
 MOD.1 AY00-120 unit
 SCH1 Controller S61

SCH5 S70+AY10 electronic boards
 TER Package power supply terminal box
 J2-J10 Control jumpers of system water pumps ("closed")

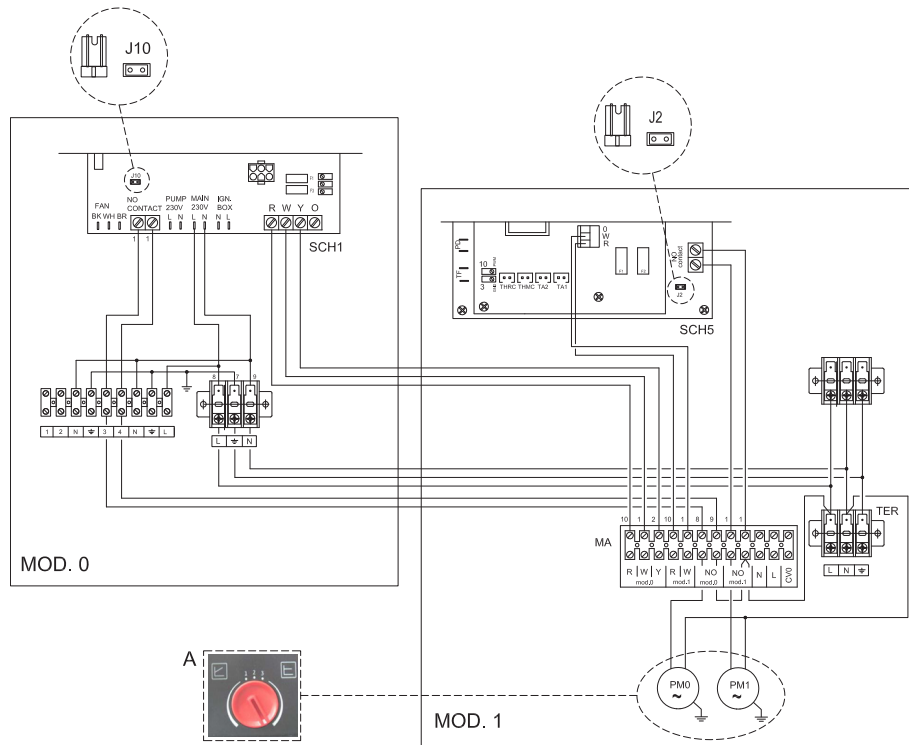
Figure 1.12 Gitié package wiring diagram with KIT/2 C0



MOD.0 GAHP or ACF unit
 MOD.1 AY00-120 unit
 SCH1 Controller S61
 SCH5 S70+AY10 electronic boards

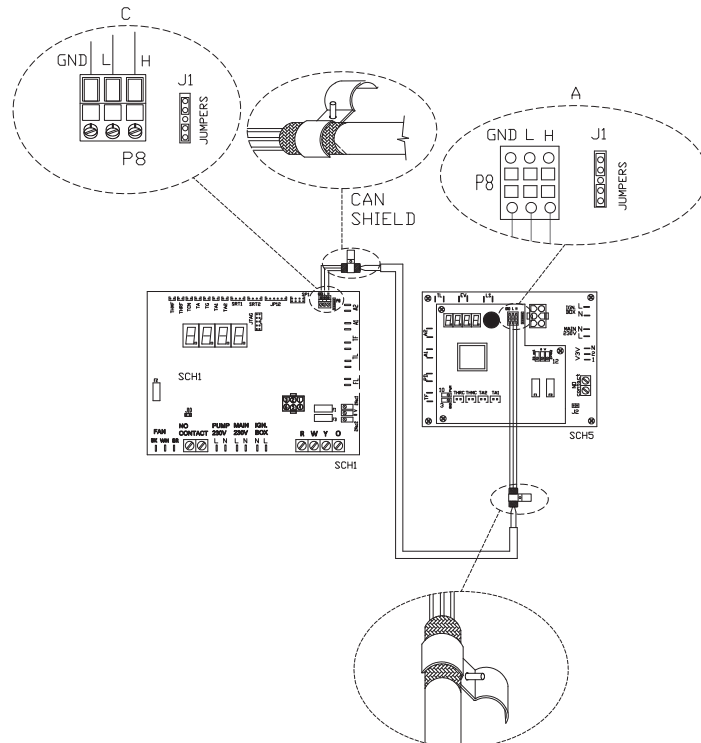
TER Package power supply terminal box
 J2-J10 Control jumpers of system water pump ("open")
 MA Terminal block
 V2V0-V2V1 Motorised valves

Figure 1.13 Gitié package wiring diagram with KIT/2 C1 or with KIT/4 C1



- | | | | |
|-------|-----------------------------------|---------|--|
| MOD.0 | GAHP or ACF unit | J2-J10 | Control jumpers of system water pumps ("closed") |
| MOD.1 | AY00-120 unit | MA | Terminal block |
| SCH1 | Controller S61 | PM0-PM1 | System water pumps |
| SCH5 | S70+AY10 electronic boards | A | Position of pumps flow rate adjustment screw |
| TER | Package power supply terminal box | | |

Figure 1.14 CAN connection between AY10 board and S61 (pre-wired in the factory)



- | | | | |
|------|---|---------|---|
| SCH5 | S70+AY10 electronic boards | A | Terminal node connection - (3 wires; J1 jumpers = "closed") |
| SCH1 | Controller S61 | C | Terminal node connection - (3 wires; J1 jumpers = "closed") |
| J1 | Jumpers CAN-BUS on AY10 board and S61 board | H,L,GND | Data signal wires (ref. cables table) |

1.5 ELECTRONIC BOARDS

GAHP-AR Unit electronic boards (S61+AR11)

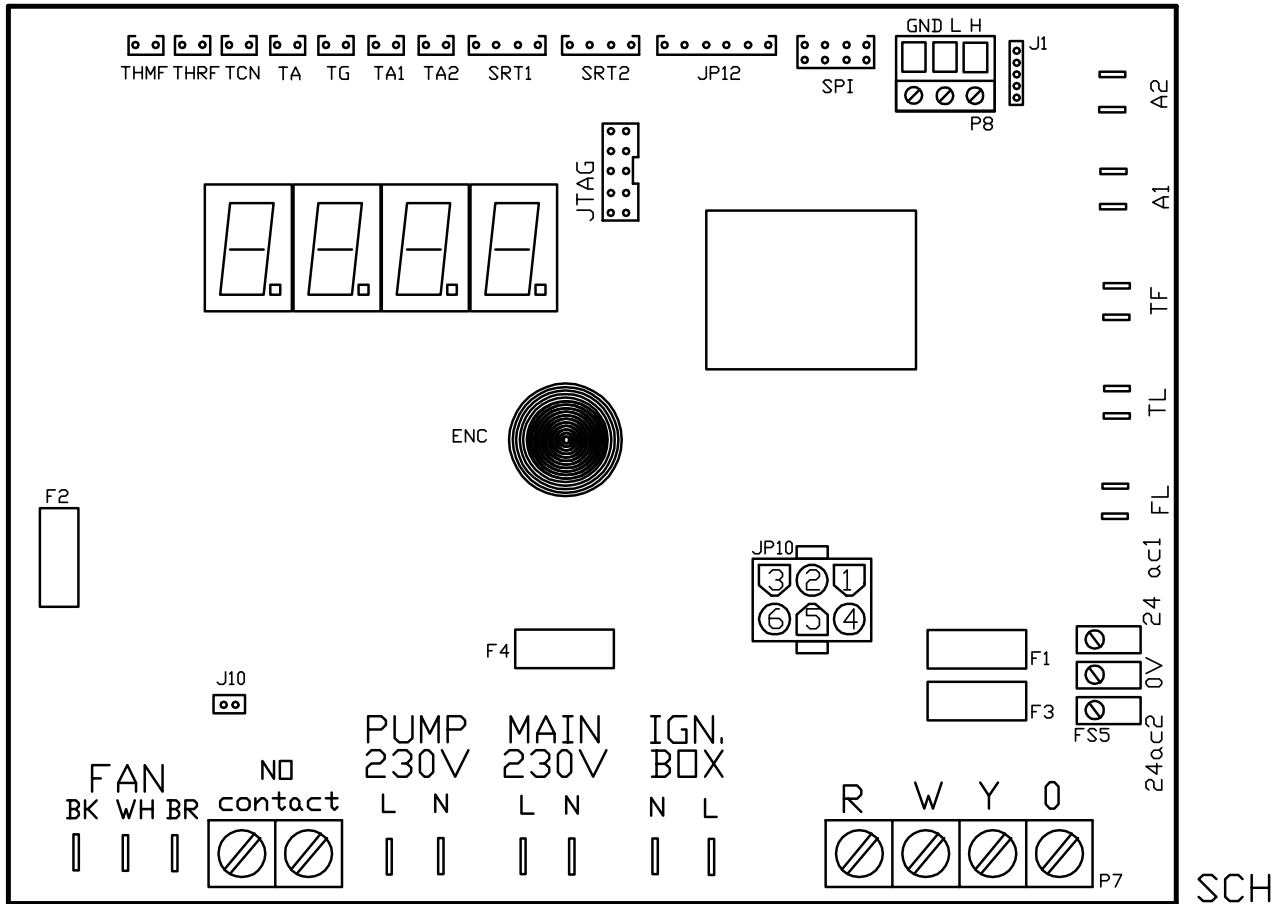
In the electrical panel on the GAHP-AR unit there are:

- **Electronic board S61** (Figure 1.15 p. 18), with microprocessor, it controls the appliance and displays data, messages and operative codes. The appliance is monitored and

programmed by interacting with the display and the knob.

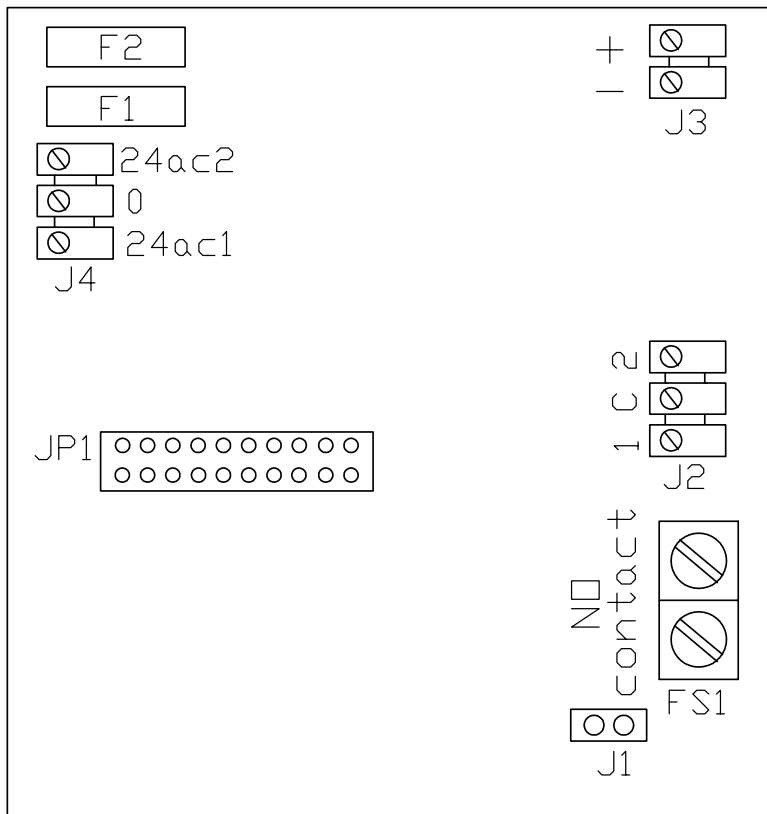
- **Satellite WAR11 electronic board** (Figure 1.16 p. 19), interconnected to the S61 board and located next to it, used to control the cycle switching valve and to control defrosting operations of the GAHP unit.

Figure 1.15 Electronic board S61



SCH	S61 controller	P8 (GND, L, H)	CAN bus connector		controller terminals
THMF	Water delivery temperature probe input	J1	CAN bus Jumper	J10	Circuit water circulating pump controller jumper
THRF	Water return temperature probe input	A1, A2	Connections for actuator's limit switches	FAN	(BK, WH, BR) Fan output
TCN	Condenser outlet temperature probe input	TF	Not used	JTAG	S61 board programming connector
TA	Ambient air temperature probe input	TL	Generator limit thermostat input	ENC	Knob
TG	Generator temperature probe input	FL	Water flow switch input	JP10	6-pole flame controller connector
TA1	Evaporator output temperature probe input	F55	Board supply input 24 Vac	F1	T 2A fuse
TA2	Not used	P7 (R, W, Y, O)	Operation enables inputs	F2	T 10A fuse
SRT1	Oil pump rotation sensor input	IGN.BOX (L, N)	Flame control unit supply input 230 Vac	F3	T 2A fuse
SRT2	Not used	MAIN 230V (L,N)	Board supply input 230 Vac	F4	T 3,15A fuse
JP12	Connection for generator fins temperature probe	PUMP 230V (L, N)	Oil hydraulic pump supply output		
SPI	Not used	N.O. Contact	Circuit water circulating pump		

Figure 1.16 Eletronic board AR11



F1	Fuse 2AT
F2	Fuse 2AT
JP1	Satellite board AR11 connector
J1	Jumper N.O. contact
J2	Display appliance state
J3	Reversible valve motor power supply
J4	Controller power supply
FS1	Defrosting valve N.O. contact

AY00-120 Unit electronic boards (S70+AY10)

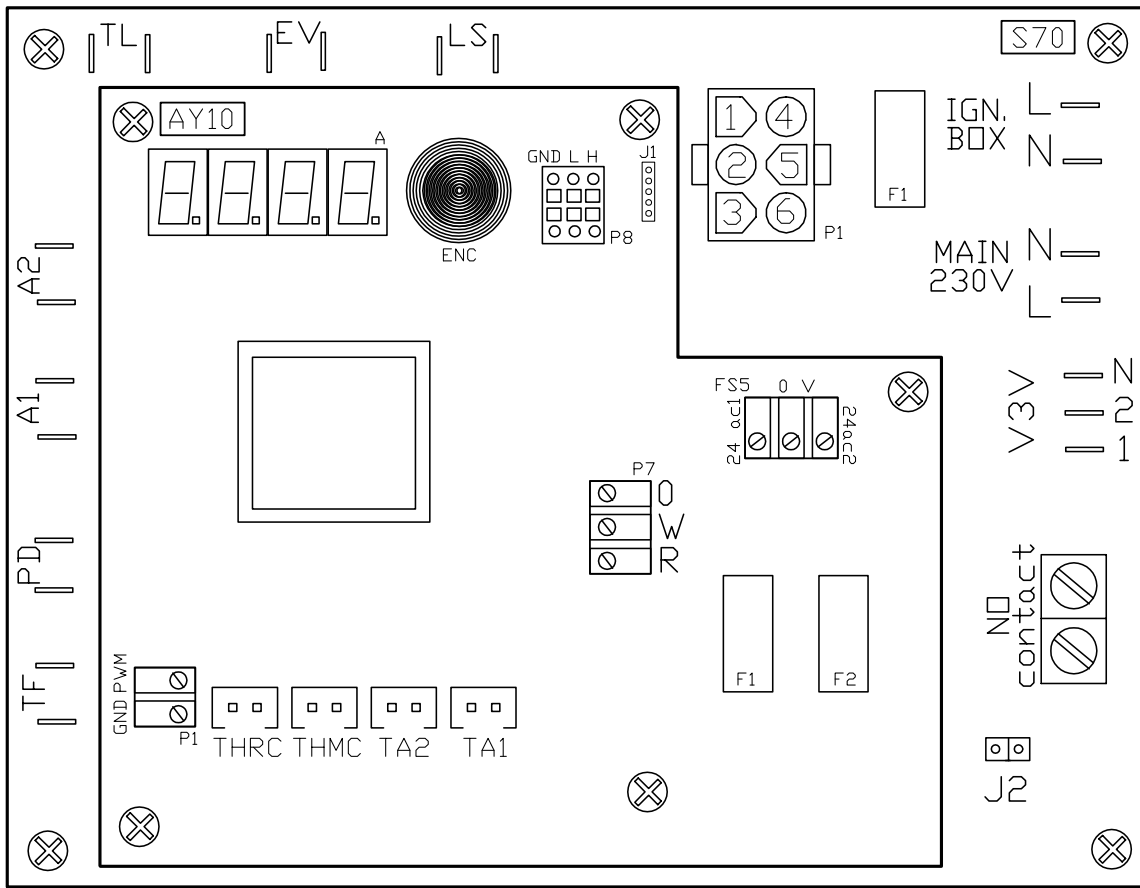
In the electrical panel on the AY00-120 unit there are:

- **AY10 electronic board** (Figure 1.17 p. 20), with microprocessor, it controls the appliance and displays data, messages

and operative codes. The appliance is monitored and programmed by interacting with the display and the knob.

- **S70 auxiliary electronic board** (Figure 1.17 p. 20).

Figure 1.17 AY10+S70 electronic boards



TL	Limit thermostat connector	MAIN	230V (L, N) Board power supply 230 Vac
ENC	Knob	IGN.BOX (L, N)	Flame controller power supply 230 Vac
EV	Gas solenoid valve connector	P1	Connector for blower drive
LS	Gas valve ON signal lamp connector	THRC	Return hot water temperature connector
P1	6 pole flame controller connector	THMC	Delivery hot water temperature connector
TF	Exhausted gas thermostat connector	TA2-TA1	Auxiliary temperature probes connector
PD	System water differential pressure switch	J1	CAN bus Jumper
A1, A2	Auxiliary inputs	P8	(GND, L, H) CAN bus connector
J2	System water circulator jumper	P7	(R, W, 0) Enable input
N.O. CONTACT	System water circulating pump control terminals (max 700 W)	F5	Board supply connector
V3V (1-2-N)	Appliance circulation pump connecting terminals	F1-F2	Fuses

1.6 CONTROLS

Control device

The appliance may only work if it is connected to a control device, selected from:

- ▶ (1) **pre-configured DDC control**
- ▶ (2) **external enables**

1.6.1 Adjustment system (1) with pre-configured DDC control

The main functions are:

- ▶ Adjustment and control of the GAHP/GA unit and AY00-120 unit in cascade (ON/OFF mode).
- ▶ Data display and parameters setting.
- ▶ Hourly programming.
- ▶ Climatic curve control.
- ▶ Diagnostics.
- ▶ Errors reset.
- ▶ Possibility to interface with a BMS.

DDC functionality may be extended with auxiliary Robur devices

RB100 and RB200 (e.g. service requests, DHW production, Third Party generator control, probe control, system valves or circulating pumps, ...).

1.6.2 Adjustment system (2) with external enables

The appliance may also be controlled via generic enable devices (e.g. thermostats, timers, buttons, contactors...) fitted with voltage-free NO contacts. This system only provides elementary control (on/off, with fixed setpoint temperature), without the important functions of system (1). Control of the cascade between GAHP/GA and AY00-120 is left to the user.



For connection of the selected device to the appliance's electronic board please refer to Paragraph 4.4 p. 31.

1.7 TECHNICAL CHARACTERISTICS

1.7.1 ARAY Integrated package technical specifications

Table 1.2 Technical data Gitié ARAY

			ARAY/4 C0	ARAY/4 C1	ARAY/2 C0	ARAY/2 C1	ARAY/4 C0 S	ARAY/4 C1 S	ARAY/2 C0 S	ARAY/2 C1 S
Heating mode										
Seasonal space heating energy efficiency class (ErP)	medium-temperature application (55 °C)	-	A+							
	low-temperature application (35 °C)	-	A							
Heat input	real	kW	60,1							
Ambient air temperature (dry bulb)	maximum	°C	35							
	minimum	°C	-20							
Water flow rate 4 pipes	maximum (GAHP)	l/h	3500		-	3500		-		
	nominal (GAHP)	l/h	3040		-	3040		-		
	minimum (GAHP)	l/h	2500		-	2500		-		
	maximum (AY120)	l/h	3200		-	3200		-		
	nominal (AY120)	l/h	2950		-	2950		-		
	minimum (AY120)	l/h	1500		-	1500		-		
Water flow rate 2 pipes	maximum	l/h	-		6700		-		6700	
	nominal	l/h	-		5990		-		5990	
	minimum	l/h	-		4000		-		4000	
Pressure loss at nominal flow rate	version /4 C0 GAHP	bar	0,29		-		0,29		-	
	version /4 C0 AY120	bar	0,40		-		0,40		-	
	version /2 C0	bar	-		0,56		-		0,56	
Residual pressure head at nominal flow rate	version /4 C1 GAHP	bar	-		0,70		-		0,70	
	version /4 C1 AY120	bar	-		0,60		-		0,60	
	version /2 C1	bar	-		0,52		-		0,52	
Operation in conditioning mode										
Heat input	nominal (1013 mbar - 15 °C)	kW	25,7							
	real	kW	25,2							
External air temperature	maximum	°C	45							
	minimum	°C	0							
Water flow rate	maximum	l/h	3500							
	nominal	l/h	2900							
	minimum	l/h	2500							
Pressure loss at nominal flow rate	version /4 C0 GAHP	bar	0,31		-		0,31		-	
	version /2 C0	bar	-		0,56		-		0,56	
Residual pressure head at nominal flow rate	version /4 C1 GAHP	bar	-		0,68		-		0,68	
	version /2 C1	bar	-		0,52		-		0,52	
Electrical specifications										
Power supply	voltage	V	230							
	type	-	single-phase							
	frequency	Hz	50							
Electrical power absorption	nominal	kW	1,02 (1)	1,40 (1)	1,02 (1)	1,40 (1)	0,95 (1)	1,33 (1)	0,95 (1)	1,33 (1)
Degree of protection	IP	-	X5D							
Installation data										
Gas consumption	G20 (maximum)	m ³ /h	6,4 (2)							
	G25 (maximum)	m ³ /h	7,5 (3)							
	G30 (maximum)	kg/h	4,8 (4)							
	G30 (maximum)	kg/h	4,70 (4)							
Water fitting	delivery/inlet	"F	1 1/4		1 1/2		1 1/4		1 1/2	
Gas connection	thread	"M	3/4							
Dimensions	width	mm	1470							
	depth	mm	1260							
	height	mm	1630							
Weight	in operation	kg	480	505	480	505	490	515	490	515
sound power L_w (max)		dB(A)	79,6 (5)				75,0 (5)			

(1) ±10% depending on power voltage and absorption tolerance of electric motors.

(2) PCI (G20) 34,02 MJ/m³ (15 °C - 1013 mbar).

(3) PCI (G25) 29,25 MJ/m³ (15 °C - 1013 mbar).

(4) PCI (G30/G31) 46,34 MJ/kg (15 °C - 1013 mbar).

(5) Sound power values detected in compliance with the intensity measurement methodology set forth by standard EN ISO 9614.

(6) Maximum sound pressure levels in free field, with directionality factor 2, obtained from the sound power level in compliance with standard EN ISO 9614.

		ARRAY/4 C0	ARRAY/4 C1	ARRAY/2 C0	ARRAY/2 C1	ARRAY/4 C0 S	ARRAY/4 C1 S	ARRAY/2 C0 S	ARRAY/2 C1 S
sound pressure L_p at 5 metres (max)	dB(A)	57,6 (6)				53,0 (6)			
minimum storage temperature	°C					-30			
maximum water pressure in operation	bar					4,0			
Water content inside the apparatus	l					6			

- (1) ±10% depending on power voltage and absorption tolerance of electric motors.
- (2) PCI (G20) 34,02 MJ/m³ (15 °C - 1013 mbar).
- (3) PCI (G25) 29,25 MJ/m³ (15 °C - 1013 mbar).
- (4) PCI (G30/G31) 46,34 MJ/kg (15 °C - 1013 mbar).
- (5) Sound power values detected in compliance with the intensity measurement methodology set forth by standard EN ISO 9614.
- (6) Maximum sound pressure levels in free field, with directionality factor 2, obtained from the sound power level in compliance with standard EN ISO 9614.

1.7.2 GAHP-AR Unit technical data

Table 1.3 GAHP-AR Unit technical data

				GAHP-AR Standard	GAHP-AR S
Heating mode					
Heat output	Outdoor temperature/Delivery temperature	A7W35	kW	37,8	
		A7W50	kW	35,3	
GUE efficiency	Outdoor temperature/Delivery temperature	A7W35	%	150	
		A7W50	%	140	
Heat input	nominal (1013 mbar - 15 °C) (1)		kW	25,7	
	real		kW	25,2	
Hot water delivery temperature	maximum		°C	60	
	nominal		°C	50	
Hot water return temperature	maximum		°C	50	
	minimum temperature in continuous operation		°C	30 (2)	
Operation in conditioning mode					
Unitary cooling power	Outdoor temperature/Delivery temperature	A35W7	kW	16,9	
GUE efficiency	Outdoor temperature/Delivery temperature	A35W7	%	67	
Cold water temperature (inlet)	maximum		°C	45	
	minimum		°C	8	
Installation data					
NO _x emission class			-	5 (3)	
NO _x emission			ppm	30,0 (4)	
CO emission			ppm	23,0 (4)	
Flue gas exhaust	diameter (Ø)		mm	80	
	residual head		Pa	12	
type of installation			-	B23, B53	
General information					
Cooling fluid	ammonia R717		kg	7,1	
	water H ₂ O		kg	10,0	
maximum pressure of the cooling circuit			bar	32	
PED data					
Components under pression	generator		l	18,6	
	leveling chamber		l	11,5	
	evaporator		l	3,7	
	cooling volume transformer		l	4,5	
	cooling absorber solution		l	6,3	
solution pump		l	3,3		
test pressure (in air)			bar g	55	
filling ratio			kg of NH ₃ /l	0,148	
fluid group			-	1°	

- (1) Relative to NCV (net calorific value).
- (2) In transient operation, lower temperatures are allowed.
- (3) All values measured with G20 (natural gas) as reference gas.
- (4) Values measured with G20 (natural gas), as gas of reference. NO_x and CO levels measured in compliance with EN 483 (combustion values at 0% of O₂).

1.7.3 AY00-120 Unit technical data

Table 1.4 Technical specifications AY00-120

		AY00-120
Heating mode		

- (1) Relative to NCV (net calorific value).

				AY00-120
Operating point 80/60	Nominal heat input	effective power	kW	34,4
	Minimal heat input	efficiency	%	97,3
	Nominal heat input	efficiency	%	98,6
	Mean heat input	efficiency	%	98,3
Operating point 70/50	Nominal heat input	efficiency	%	100,6
Operating point 50/30	Nominal heat input	efficiency	%	104,6
Operating point Tr = 30 °C	Heat input 30%	efficiency	%	107,5
Operating point Tr = 47 °C	Heat input 30%	efficiency	%	100,3
Heat input	nominal (1013 mbar - 15 °C) (1)		kW	34,9
	average		kW	21,5
	minimum (1)		kW	8,0
Hot water delivery temperature	maximum		°C	80
	minimum		°C	25
	nominal		°C	60
Hot water return temperature	maximum		°C	70
	minimum		°C	20
	nominal		°C	50
efficiency class				****
Heat loss	to jacket in operation		kW	0,15
	to jacket in operation		%	0,44
	to flue in operation		kW	0,86
	to flue in operation		%	2,54
	in off mode		kW	0,058
	in off mode		%	0,17
Installation data				
NO_x emission class			-	5
NO_x emission			ppm	19,5
CO emission			ppm	8,4
maximum flow flue condensate			l/h	5,5
Flue gas exhaust	diameter (Ø)		mm	80
	residual head		Pa	100
type of installation			-	B32P, B33, B35P, C13, C33, C34, C53, C63, C83

(1) Relative to NCV (net calorific value).

2 TRANSPORT AND POSITIONING

2.1 WARNINGS



Damage from transport or installation

The manufacturer shall not be liable for any damage during appliance transport and installation.



On-site inspection

- Upon arrival at the site, ensure there is no transport damage on packing, metal panels or finned coil.
- After removing the packing materials, ensure the appliance is intact and complete.



Packing

- Only remove the packing after placing the appliance on site.
- Do not leave parts of the packing within the reach of children (plastic, polystyrene, nails...) since they are potentially dangerous.



Weight

- The crane and lifting equipment must be suitable for the load.

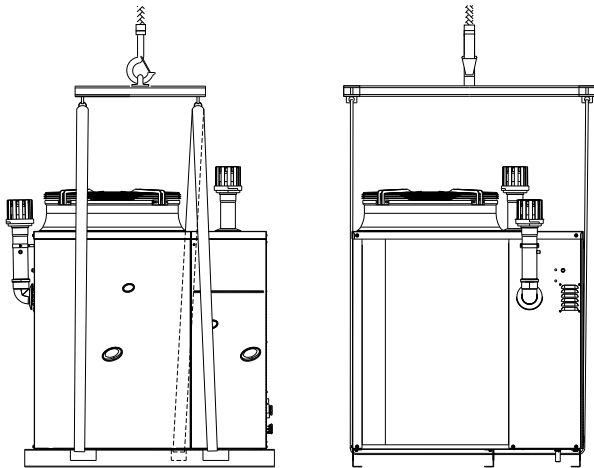
- Do not stand under suspended loads.

2.2 HANDLING

Handling and lifting

- ▶ Always handle the appliance in its packing, as delivered by the factory.
- ▶ To lift the appliance use straps or slings inserted in the holes of the base (Figure 2.1 p. 24).
- ▶ Use lifting beams to avoid damaging the outer panels and finned coil (Figure 2.1 p. 24).
- ▶ Comply with safety regulations at the installation site.

Figure 2.1 Instruction for lifting



In the event of handling with forklift or pallet truck, comply with the handling instructions shown on the packing.

2.3 APPLIANCE POSITIONING



Do not install inside a room

The appliance is type-approved for external installation.

- Do not install inside a room, not even if it has openings.
- In no event start the appliance inside a room.



ARAY unit ventilation

- The athermic appliance requires a large space, ventilated and free from obstacles, to enable smooth flow of air to the finned coil and free air outlet above the mouth of the fan, with no air recirculation.
- Incorrect ventilation may affect efficiency and cause damage to the appliance.
- The manufacturer shall not be liable for any incorrect choices of the place and setting of installation.

Where to install the appliance

- ▶ The appliance may be installed at ground level, on a terrace or on a roof, compatibly with its dimensions and weight.
- ▶ It must be installed outside buildings, in an area of natural air circulation, outside the dripping path of drainpipes or similar. It does not require protection from weathering.
- ▶ No obstruction or overhanging structure (e.g. protruding roofs, canopies, balconies, ledges, trees) shall interfere either with the air flowing from the top of the appliance or with the exhaust flue gas.
- ▶ The appliance's flue gas exhaust must not be immediately close to openings or air intakes of buildings, and must comply with environmental regulations.
- ▶ Do not install near the exhaust of flues, chimneys or hot polluted air. In order to work correctly, the appliance needs clean air.

Defrosting water drainage



In winter, it is normal for frost to form on the finned coil and for the appliance to perform defrosting

cycles.

- To prevent overflowing and damage provide for a drainage system.

Acoustic issues

- ▶ Pre-emptively assess the appliance's sound effect in connection to the site, taking into account that building corners, enclosed courtyards, restricted spaces may amplify the acoustic impact due to the reverberation phenomenon.

2.4 MINIMUM CLEARANCE DISTANCES

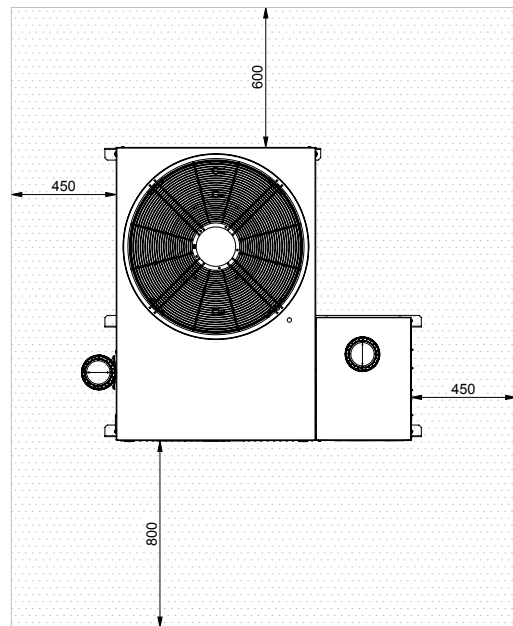
Distances from combustible or flammable materials

- ▶ Keep the appliance away from combustible or flammable materials or components, in compliance with applicable regulations.

Clearances around the appliance

The minimum clearance distances shown in Figure 2.2 p. 24 (bar any stricter regulations) are required for safety, operation and maintenance.

Figure 2.2 Clearances



2.5 MOUNTING BASE

Mounting base constructive features

- ▶ Place the appliance on a levelled flat surface made of fire-proof material and able to withstand its weight.

(1) - installation at ground level

- ▶ Failing a horizontal supporting base, make a flat and levelled concrete base, at least 100-150 mm larger than the appliance size per side.

(2) - installation on terrace or roof

- ▶ The structure of the building must support the total weight of the appliance and the supporting base.
- ▶ If necessary, provide a maintenance walkway around the appliance.

Anti vibration mountings

Although the appliance's vibrations are minimal, resonance phenomena might occur in roof or terrace installations.

- ▶ Use anti-vibration mountings.
- ▶ Also provide anti-vibration joints between the appliance and water and gas pipes.

3 HEATING ENGINEER

3.1 WARNINGS



General warnings



Read the warnings in Chapter III.1 p. 4, providing important information on regulations and on safety.



Compliance with installation standards

Installation must comply with applicable regulations in force, based on the installation Country and site, in matters of safety, design, implementation and maintenance of:

- heating systems
- cooling systems
- gas systems
- flue gas exhaust
- flue gas condensate discharge



Installation must also comply with the manufacturer's provisions.

3.2 HYDRAULIC SYSTEM

Primary and secondary circuit

In many cases it is advisable to divide the hydraulic system into two parts, primary and secondary circuit, uncoupled by a hydraulic separator, or possibly by a tank that also acts as inertial tank/buffer.

Minimum water content

High thermal inertia is conducive to efficient appliance operation. Very short ON/OFF cycles are to be avoided.

- ▶ If necessary, provide for an inertial volume, to be suitably sized (see design manual).

3.3 HYDRAULIC CONNECTIONS

4-pipe version hydraulic connections

on the right, at the bottom, connection plate (Figure 1.4 p. 9).

- ▶ A (= out) 1 1/4" F - WATER OUTLET AY00-120 (m = AY00-120 delivery to the system)
- ▶ B (= in) 1 1/4" F - WATER INLET AY00-120 (r = AY00-120 return from the system)
- ▶ E (= out) 1 1/4" F - GAHP/GA WATER OUTLET (m = GAHP/GA delivery to the system)
- ▶ F (= in) 1 1/4" F - GAHP/GA WATER INLET (r = GAHP/GA return from the system)

2-pipe version hydraulic connections

on the right, at the bottom, connection plate (Figure 1.3 p. 9).

- ▶ A (= out) 1 1/2" F - WATER OUTLET (m = outlet to the system);
- ▶ B (= in) 1 1/2" F - WATER INLET (r = return from the system)

Hydraulic pipes, materials and features

- ▶ Use pipes for heating/cooling systems, protected from weathering, insulated for thermal dispersion.



Pipe cleaning

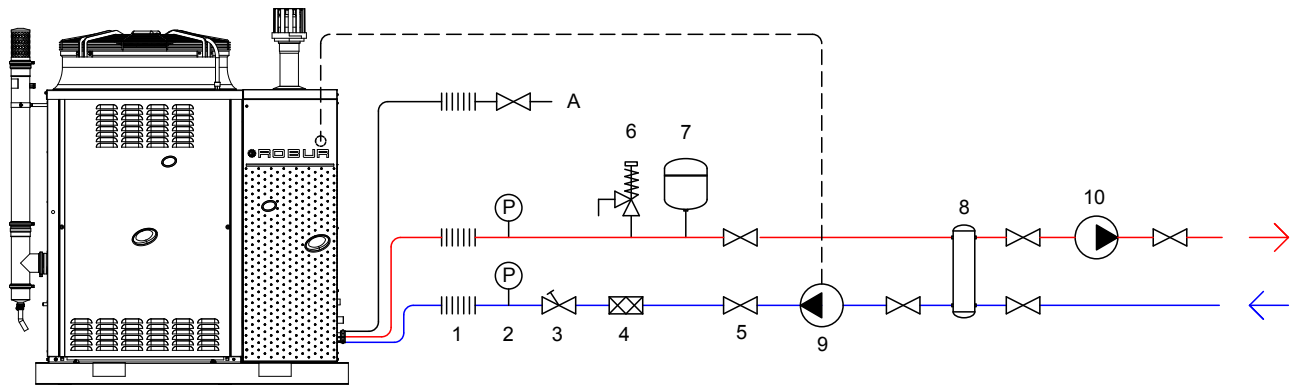
- Before connecting the appliance, accurately wash the water and gas piping and any other system component, removing any residue.

Minimum components of the primary hydraulic circuit (2-pipe version or each of the two circuits GAHP-GA/AY00-120 of the 4-pipe versions)

Always provide, near the appliance:

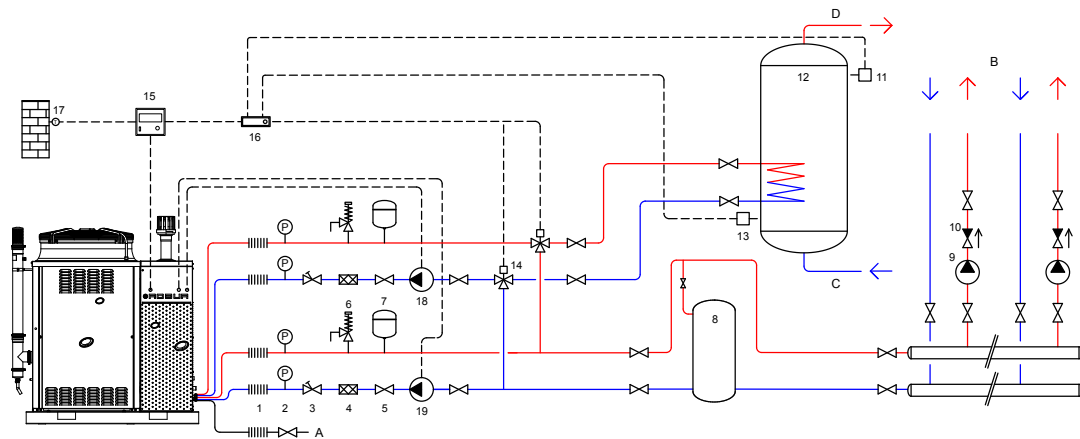
- ▶ on water piping, both output and input (m/r)
 - 2 antivibration joints on water fittings
 - 2 pressure gauges
 - 2 isolation ball valves
- ▶ on the input water piping (r)
 - 1 water circulation pump, towards the appliance (for the C0 version - without circulation pumps)
 - 1 separator filter
 - 1 flow regulation valve (for the C0 version - without circulation pumps, and only if the circulation pump is constant flow)
- ▶ on the output water piping (m)
 - 1 safety valve (3 bar)
 - 1 expansion tank of the individual unit

Figure 3.1 Hydraulic diagram Gitié ARAY /2 C0



- | | |
|-----------------------------|--|
| 1 Anti-vibration connection | 7 Expansion tank |
| 2 Pressure gauge | 8 Hydraulic separator / buffer tank |
| 3 Flow regulator valve | 9 Outdoor water pump (primary circuit) |
| 4 Water filter | 10 Water pump (secondary circuit) |
| 5 Shut-off valves | A Gas connection |
| 6 3 bar safety valve | |

Figure 3.2 Hydraulic diagram Gitié ARAY /4 C0 ACS



- | | | |
|---|--|--|
| 1 Anti-vibration connection | 10 Check valve | 17 Outdoor temperature probe |
| 2 Pressure gauge | 11 Thermostat with adjustable differential for DHW | 18 Outdoor water pump (boiler primary circuit) |
| 3 Flow regulator valve | 12 DHW accumulation tank | 19 Outdoor water pump (GAHP primary circuit) |
| 4 Water filter | 13 Thermostat with adjustable differential for Legionella function | A Gas connection |
| 5 Shut-off valves | 14 3-way diverter valves for DHW | B Conditioning and heating system |
| 6 3 bar safety valve | 15 DDC | C Water mains |
| 7 Expansion tank | 16 RB100 | D DHW |
| 8 Buffer tank (and hydraulic separator) | | |
| 9 Water pump (secondary circuit) | | |

3.4 WATER CIRCULATION PUMPS

3.4.1 Versions C0

Circulation pumps (flows and heads) must be selected and installed based on pressure losses of hydraulic circuits (piping + components + exchange terminals + appliance).

For the appliance pressure losses refer to Table 1.2 p. 21 and Design Manual.

Circulation pumps will be controlled at constant flow.



For pump sizing in the version KIT/2 C0 also consider the alternate operation case.

For electrical connections of the pumps refer to Paragraph 4.5 p. 33.

3.4.2 Versions C1

Water circulation pumps are supplied on the appliance.

For available water flow and residual head features refer to Table 1.2 p. 21 and Design Manual.

3.5 ANTIFREEZE FUNCTION

Active antifreeze self-protection

The appliance is equipped with an active antifreeze

self-protection system to prevent icing. The anti-icing function (activated by default) automatically starts the primary circulation pump and, if required, the burner too, when the outside temperature approaches zero.

Electrical and gas continuity

The active antifreeze self-protection is only effective if the power and gas supplies are assured. Otherwise, anti-freeze liquid might be required.

3.6 ANTIFREEZE LIQUID

Precautions with glycol

The manufacturer disclaims any liability for any damage caused by improper glycol use.

- Always check product suitability and its expiry date with the glycol supplier. Periodically check the product's preservation state.
- Do not use car-grade antifreeze liquid (without inhibitors), nor zinc-coated piping and fittings (incompatible

with glycol).

- Glycol modifies the physical properties of water (density, viscosity, specific heat...). Size the piping, circulation pump and thermal generators accordingly.
- With automatic system water filling, a periodic check of the glycol content is required.

With high glycol percentage (> 20...30%)

If the glycol percentage is $\geq 30\%$ (for ethylene glycol) or $\geq 20\%$ (for propylene glycol) the TAC must be alerted before first start-up.



When producing DHW by DHW buffer tank, use propylene glycol only.

Type of antifreeze glycol

- ▶ **Inhibited type glycol** is recommended to prevent oxidation phenomena.

Glycol effects

The Table 3.1 p. 27 shows, indicatively, the effects of using a glycol depending on its %.

Table 3.1 Technical data for filling the hydraulic circuit

Glycol %	Water-glycol mixture freezing temperature	Percentage of increase in pressure drops	Loss of efficiency of unit
10	-3 °C	-	-
15	-5 °C	6,0%	0,5%
20	-8 °C	8,0%	1,0%
25	-12 °C	10,0%	2,0%
30	-15 °C	12,0%	2,5%
35	-20 °C	14,0%	3,0%
40	-25 °C	16,0%	4,0%

3.7 SYSTEM WATER QUALITY

Responsibility of the user/operator/installer

The installer, operator and user must assure system water quality (Table 3.2 p. 27). Failure to comply with the manufacturer's guidelines may affect operation, integrity and life of the appliance, voiding the warranty.

System water characteristics

Free chlorine or water hardness may damage the appliance. Adhere to the chemical-physical parameters in Table 3.2 p. 27 and the regulations on water treatment for residential and industrial heating systems.

Table 3.2 Chemical and physical parameters of water

Chemical and physical parameters of water in heating/cooling systems		
Parameter	Measurement unit	Required value
pH	/	> 7 (1)
Chlorides	mg/l	< 125 (2)
Total hardness (CaCO ₃)	°f	< 15
	°d	< 8,4
Iron	mg/kg	< 0,5 (3)
Copper	mg/kg	< 0,1 (3)
Aluminium	mg/l	< 1
Langelier's index	/	0-0,4
Harmful substances		
Free chlorine	mg/l	< 0,2 (3)
Fluorides	mg/l	< 1
Sulphides		ABSENT

- 1 With aluminium or light alloys radiators, pH must also be lower than 8 (in compliance with applicable rules)
- 2 Value referred to the maximum water temperature of 80 °C
- 3 In compliance with applicable rules

Water topping up

The chemical-physical properties of the system's water may alter over time, resulting in poor operation or excessive topping up.

- ▶ Ensure there are no leaks in the installation.
- ▶ Periodically check the chemical-physical parameters of the water, particularly in case of automatic topping up.



Chemical conditioning and washing

Water treatment/conditioning or system washing carried out carelessly may result in risks for the appliance, the system, the environment and health.

- Contact specialised firms or professionals for water treatment or system washing.
- Check compatibility of treatment or washing products with operating conditions.
- Do not use aggressive substances for stainless steel or copper.
- Do not leave washing residues.

3.8 SYSTEM FILLING



How to fill up the system

After completing all water, electrical and gas connections:

1. Pressurise (at least 1.5 bar) and vent the hydraulic circuit.
2. Let water flow (with appliance off).
3. Check and clean the filter on the inlet pipe.
4. Repeat items 1, 2 and 3 until the pressure has stabilised (at least 1.5 bar).

3.9 FUEL GAS SUPPLY

Gas connection

- ▶ 3/4 "M on the right, at the bottom, connection plate (Figure 1.5 p. 10).
- ▶ Install an anti-vibration connection between the appliance and the gas piping.

Mandatory shut-off valve

- ▶ Provide a gas shut-off valve (manual) on the gas supply line, next to the appliance, to isolate it when required.
- ▶ Perform connection in compliance with applicable regulations.

Gas pipes sizing

The gas pipes must not cause excessive pressure drops and, consequently, insufficient gas pressure for the appliance.

Supply gas pressure



This appliance is equipped for a maximum gas supply pressure of 50 mbar.

The appliance's gas supply pressure, both static and dynamic, must comply with Table 3.3 p. 28, with tolerance ± 15%.



Non compliant gas pressure (Table 3.3 p. 28) may damage the appliance and be hazardous.

Table 3.3 Gas network pressure

Product category	Countries of destination	Gas supply pressure							
		G20 [mbar]	G25 [mbar]	G30 [mbar]	G31 [mbar]	G25.1 [mbar]	G25.3 [mbar]	G27 [mbar]	G2,350 [mbar]
II _{2H3B/P}	AL, BG, CY, CZ, DK, EE, FI, GR, HR, IT, LT, MK, NO, RO, SE, SI, SK, TR	20		30	30				
	AT, CH	20		50	50				
II _{2H3P}	BG, CH, CZ, ES, GB, HR, IE, IT, LT, MK, PT, SI, SK, TR	20			37				
	RO	20			30				
	AT	20			50				
II _{2ELL3B/P}	DE	20	20	50	50				
II _{2ES3P} ; II _{2Er3P}	FR	20	25		37				
II _{2HS3B/P}	HU	25		30	30	25 (1) (2)			
II _{2E3P}	LU	20			50				
II _{2L3B/P}	NL		25	30	30				
II _{2EK3B/P}	NL	20		30	30		25 (1) (2)		
II _{2E3B/P}	PL	20		37	37				
II _{2ELWLS3B/P}		20		37	37			20 (2)	13 (2)
II _{2ELWLS3P}		20			37			20 (2)	13 (2)
I _{2E(S)} ; I _{3P}	BE	20	25		37				
I _{3P}	IS				30				
I _{2H}	LV	20							
I _{3B/P}	MT			30	30				
I _{3B}				30					

(1) GAHP-AR not approved for G25.1, G25.3 gases.

(2) GA ACF not approved for G25.1, G27, G2.350, G25.3 gases.

Vertical pipes and condensate

- ▶ Vertical gas pipes must be fitted with siphon and discharge of the condensate that may form inside the pipe.
- ▶ If necessary, insulate the piping.

LPG pressure reducers

With LPG the following must be installed:

- ▶ A first stage pressure reducer, close to the liquid gas tank.
- ▶ A second stage pressure reducer, close to the appliance.

3.10 GAHP-AR UNIT COMBUSTION PRODUCTS EXHAUST

Compliance with standards

The appliance is approved for connection to a combustion products exhaust duct for the types shown in Table 1.3 p. 22.

Flue gas exhaust connection

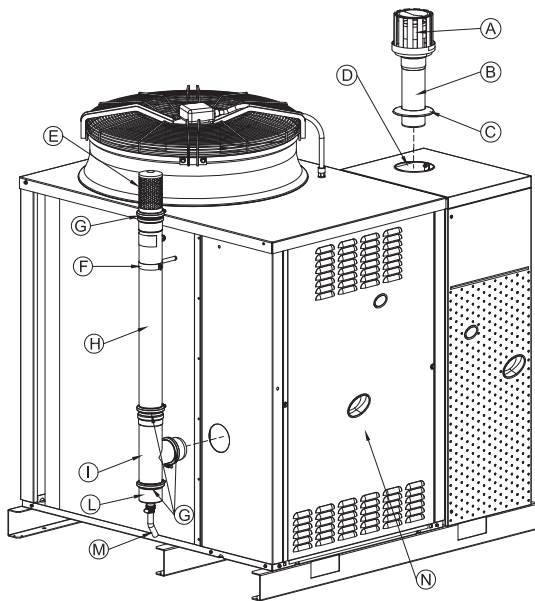
- ▶ Ø 80 mm (with gasket), on the left, at the bottom (Figure 3.3 p. 29).

Flue gas exhaust kit

The appliance is supplied with flue gas exhaust kit, to be fitted by the installer, including (Figure 3.3 p. 29):

- ▶ 1 flue gas exhaust pipe Ø 80 mm, length 750 mm (H)
- ▶ 1 T connector (I)
- ▶ 1 condensate trap (L)
- ▶ 1 terminal (E)
- ▶ 1 clamp for fixing pipe (F) to left side panel
- ▶ 4 pipe clamps (G)
- ▶ 1 condensate drain hose fitting and silicone hose (M)

Figure 3.3 Flue gas exhaust



- A Terminal
- B Pipe
- C Rain cover
- D Flanged fitting
- E Terminal
- F Clamp for fixing pipe
- G Hoseclamp
- H Exhaust air pipe L=750 mm
- I T connector
- L Condensate trap
- M Hose fitting + condensate exhaust pipe
- N Front panel

How to install the flue gas kit

Figure 3.3 p. 29:

1. Remove the front panel (N).
2. Remove the protection cover.
3. Place the clamp with spacer (F) in the suitable hole on

the left panel of the appliance.

4. Fasten the condensate trap (L) on the T fitting (I).
5. Fasten the T fitting (I) on the appliance's flue gas exhaust (Ø 80 mm);
6. Fasten the flue gas exhaust pipe (H) (L= 750 mm) onto the T fitting (I);
7. Block the flue gas exhaust pipe (H) in the clamp with spacer (F).
8. Fit the terminal (E) on the flue gas exhaust pipe (H).
9. Fix the condensate drain pipe fitting and the relevant silicon tube (M).
10. Replace the front panel (N).

3.11 AY00-120 UNIT COMBUSTION PRODUCTS EXHAUST

Compliance with standards

The appliance is approved for connection to a combustion products exhaust duct for the types shown in Table 1.4 p. 22.

Flue gas exhaust connection

- ▶ Ø 80 mm (with gasket), at the top (Figure 3.3 p. 29).

Flue gas exhaust kit

The appliance is supplied with flue gas exhaust kit, to be fitted by the installer, including (Figure 3.3 p. 29):

- ▶ 1 terminal
- ▶ 1 extension pipe Ø 80 mm, length 209 mm
- ▶ 1 rain cover

How to install the flue gas kit

Figure 3.3 p. 29:

1. Fit the terminal (A) onto the pipe (B).
2. Fit the rain cover (C) onto the pipe (B).
3. Remove the protection cover located on the upper panel.
4. Fit the rain cover/pipe/terminal assembly onto the flanged fitting (D) and place the rain cover.



The cap prevents water and foreign bodies entering the appliance before the fumes kit is installed. The cap should thus be removed only when the kit itself has been fully assembled and installed.

3.12 POSSIBLE FLUE

If necessary, the appliance may be connected to a flue.

- ▶ To size the flue refer to Table 1.4 p. 22, Table 1.3 p. 22 and design manual.
- ▶ Modules GAHP-AR and AY00-120 have different flue gas exhaust characteristics and cannot therefore be connected to the same flue, but must be connected to different and separate flues.
- ▶ If several AY00-120 modules are connected to a single flue, it is obligatory to install a flap valve on the exhaust of each.
- ▶ The flue must be designed, sized, tested and constructed by a skilled form, with materials and components complying with the regulations in force in the country of installation.
- ▶ Always provide a socket for flue gas analysis, in an accessible position.



If several GAHP-AR appliances are connected to a single

flue, NO check valves must be installed.



To avoid corrosion phenomena, convey the GAHP-AR acid condensate discharge to the base of the flue gas exhaust duct.

3.13 AY00-120 UNIT FLUE GAS CONDENSATE DISCHARGE

The AY00-120 unit is a condensing boiler which therefore produces condensation water from combustion fumes.



Condensate acidity and exhaust regulations

The flue gas condensate contains aggressive acid substances. Refer to applicable regulations in force for condensate exhaust and disposal.

- If required, install an acidity neutraliser of adequate capacity.



Do not use gutters to discharge the condensate

Do not discharge the fume condensate in gutters, due to the risk of materials corrosion and ice formation.

AY00-120 Unit flue gas condensate fitting

The connection for flue gas condensate discharge is located on the right side of the appliance at the connection plate (Figure 1.3 p. 9 and Figure 1.4 p. 9).

- ▶ The condensate discharge pipe must be connected to a

suitable discharge manifold.

- ▶ The junction between the pipe and the manifold must remain visible.
- ▶ The connection of the discharge to the sewerage system must be made at atmospheric pressure, i.e. by dripping into a siphoned container connected to the sewerage system.

Flue gas condensate discharge manifold

If necessary the condensate discharge manifold may be in common between the 2 units the Gitié package consists of.

To make the condensate discharge manifold:

- ▶ Size the ducts for maximum condensation capacity (Table 1.4 p. 22).
- ▶ Use plastic materials resistant to acidity pH 3-5.
- ▶ Provide for min. 1% slope, i.e. 1 cm for each m of the length (otherwise a booster pump is required).
- ▶ Prevent icing.
- ▶ Dilute, if possible, with domestic waste water (e.g. bathrooms, washing machines, dish washers...), basic and neutralising.

3.14 DEFROSTING WATER DRAINAGE



Defrosting

In winter, frost may form on the finned coil and the appliance performs defrosting cycles.

Collection basin and drainage system

- ▶ Provide for a collection basin or containment rim and a discharge system of the defrosting water, to avoid overflowing, icing and damage.

4 ELECTRICAL INSTALLER

4.1 WARNINGS



General warnings

Read the warnings in Chapter III.1 p. 4, providing important information on regulations and on safety.



Compliance with installation standards

Installation must comply with applicable regulations in force, based on the installation Country and site, in matters of safety, design, implementation and maintenance of electrical systems.



Installation must also comply with the manufacturer's provisions.



Live components

- After placing the appliance in the final position, and prior to making electrical connections, ensure not to work on live components.



Earthing

- The appliance must be connected to an effective earthing system, installed in compliance with regulations in

force.

- It is forbidden to use gas pipes as earthing.



Cable segregation

Keep power cables physically separate from signal ones.



Do not use the power supply switch to turn the appliance on/off

- Never use the external isolation switch (GS) to turn the appliance on and off, since it may be damaged in the long run (occasional blackouts are tolerated).
- To turn the appliance on and off, exclusively use the suitably provided control device (DDC or external enable).



Control of water circulation pump

The water circulation pumps of the hydraulic circuit must mandatorily be controlled by the unit's electronic boards. It is not admissible to start/stop circulating pumps with no enable from the appliance.

4.2 ELECTRICAL SYSTEMS

Electrical connections must provide:

- ▶ (a) power supply (Paragraph 4.3 p. 31)
- ▶ (b) control system (Paragraph 4.4 p. 31)

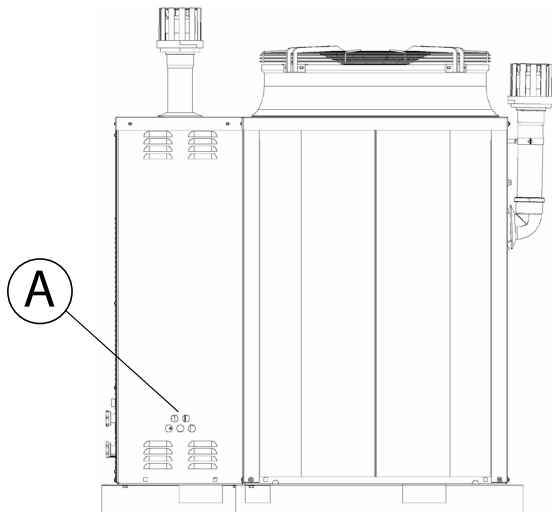


How to make connections

All electrical connections must be made in the appliance's electrical panel (Figure 1.7 p. 12):

1. Ensure the appliance's electrical panel is not live.
2. Remove the front panel of the appliance and the cover of the electrical panel.
3. Run the cables through the suitable holes in the connection plate (Figure 4.1 p. 31).
4. Run the cables through the suitable cable glands in the electrical panel.
5. Identify the appropriate connection terminals.
6. Make the connections.
7. Close the electrical panel and fit the front panel back on.

Figure 4.1 Electrical cables routing holes position



A Electrical cables routing holes

4.3 ELECTRICAL POWER SUPPLY

Power supply line

Provide (by the installer) a protected single phase line (230 V 1-N 50 Hz) with:

- ▶ 1 three-pole cable type FG7(O)R 3Gx1,5
- ▶ 1 two-pole switch with 2 T fuses (8 A type), (GS) or 1 10 A magnetothermic breaker.



The switches must also provide disconnector capability, with min contact opening 4 mm.

How to connect the power supply



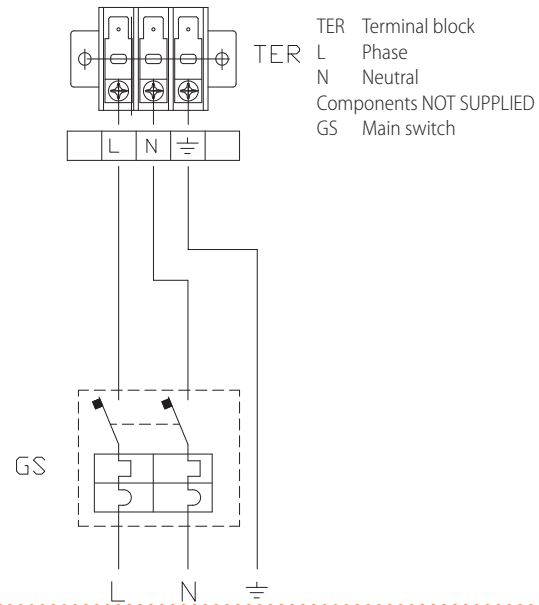
To connect the three-pole power supply cable (Figure 4.2 p. 31):

1. Access the electrical board of the appliance according to the Procedure 4.2 p. 30.
2. Connect the three lead-in wires to the terminal block

(TER) in the electrical panel on the machine.

3. Provide the earth lead-in wire longer than live ones (last to be torn in the event of accidental pulling).

Figure 4.2 Power supply connection



4.4 SET-UP AND CONTROL

Control systems, options (1) (2)

Two separate adjustment systems are provided, each with specific features, components and diagrams (see Paragraph 1.6 p. 20):

- ▶ System (1), with **DDC control** (with CAN bus connection).
- ▶ System (2), with **external enables**.

4.4.1 Control with DDC

CAN bus communication network

The CAN bus communication network, implemented with the cable of the same name, makes it possible to connect and remotely control one or more Robur appliances with the DDC control device.

It entails a certain number of serial nodes, distinguished in:

- ▶ Intermediate nodes, in variable number.
- ▶ Terminal nodes, always and only two (beginning and end).

Each component of the Robur system, appliance (GAHP, GA, AY, ...) or control device (DDC, RB100, RB200, CCI, ...), corresponds to a node, connected to two more elements (if it is an intermediate node) or to just one other element (if it is a terminal node) through two/one CAN bus cable section/s, forming an open linear communication network (never star or loop-shaped).

CAN bus signal cable

The DDC or CCP/CCI controllers are connected to the appliance through the CAN bus signal cable, shielded, compliant to Table 4.1 p. 32 (admissible types and maximum distances).

For lengths ≤ 200 m and max 4 nodes (e.g. 1 DDC + 1 Gitié), a simple 3x0,75 mm² shielded cable may even be used.

Table 4.1 CAN bus cables type

CABLE NAME	SIGNALS / COLOR			MAX LENGTH	Note	
Robur						
ROBUR NETBUS	H= BLACK	L= WHITE	GND= BROWN	450 m	Ordering Code OCVO008	
Honeywell SDS 1620						
BELDEN 3086A	H= BLACK	L= WHITE	GND= BROWN	450 m	In all cases the fourth conductor should not be used	
TURCK type 530						
DeviceNet Mid Cable						
TURCK type 5711	H= BLUE	L= WHITE	GND= BLACK	450 m		
Honeywell SDS 2022						
TURCK type 531	H= BLACK	L= WHITE	GND= BROWN	200 m		

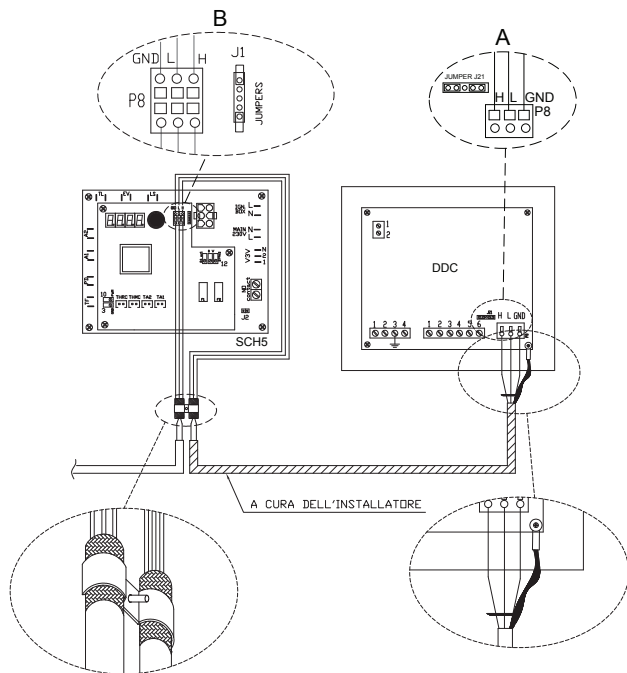


How to connect the CAN bus cable to the appliance

To connect the CAN bus cable to the AY10 electronic board (Paragraph 1.5 p. 18, located in the electrical panel inside the AY00-120 unit, Figure 4.3 p. 32, Details A and B:

1. Access the electrical board of the appliance according to the Procedure 4.2 p. 30.
2. Connect the CAN bus cable to terminals GND, L and H (shielding/earthing + two signal conductors) of the AY10 board.
3. Place the Jumper J1, of the AY10 board, OPEN.
4. Connect the DDC to the CAN bus cable to terminals GND, L and H (shielding/earthing + two signal conductors) of the DDC.
5. The CAN bus connection between the AY10 board and the S61 board is pre-wired (Figure 1.14 p. 17).

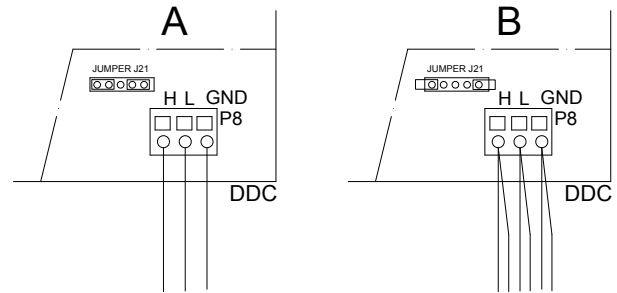
Figure 4.3 CAN-BUS connection between Gitié and DDC



- DDC Direct Digital Control
- SCH5 S70+AY10 electronic boards
- J1 Jumpers CAN-BUS on AY10 board
- J21 Jumper CAN-BUS in board DDC
- A Terminal node connection - (3 wires; J21 jumpers = "closed")
- B Intermediate node connection - (3 wires; J1 jumpers = "open")
- H,L,GND Data signal wires (ref. cables table)

Place the CLOSED J21 Jumpers (Detail A) if the node is terminal (one connected CAN bus cable section only), or OPEN (Detail B) if the node is intermediate (two connected CAN bus cable sections).

Figure 4.4 Connection of the CAN bus cable to the control panel



- DDC Direct Digital Control
- GND Common data
- L Data signal LOW
- H Data signal HIGH
- J21 Jumpers CAN bus on DDC board
- A Detail of "terminal node" case (3 wires; J21 = jumper "closed")
- B Detail of "intermediate node" case (3 wires; J21 = jumper "closed")
- P8 CAN port/connector

4.4.2 Control with external enables



How to connect external enables

Connection of external requests is effected on the terminal block located in the electrical panel inside the AY00-120 unit.

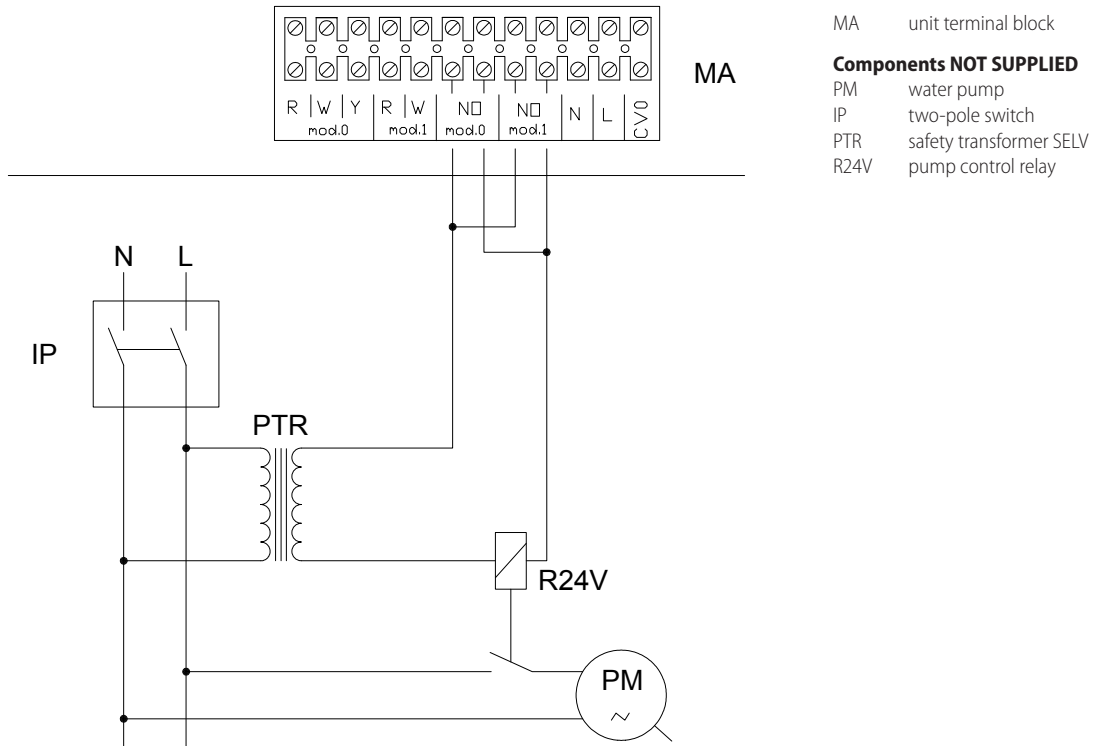
It is required to arrange:

- Request devices (e.g. thermostats, timers, buttons, ...) fitted with voltage-free NO contacts.

If you wish the heating enables of the two units to be simultaneous follow the connection diagram shown in Figure 4.5 p. 33. Should you wish the enables of the two units to be independent follow the connection diagram shown in Figure 4.6 p. 33.

2-pipe versions

Figure 4.8 System pump connection diagram Gitié package 2 pipe version (KIT/2 C0)



MA unit terminal block

Components NOT SUPPLIED

- PM water pump
- IP two-pole switch
- PTR safety transformer SELV
- R24V pump control relay

5 FIRST START-UP

i First start-up entails checking/setting up the combustion parameters and may exclusively be carried out by a Robur TAC. NEITHER the user NOR the installation technician is authorised to perform such operations, under penalty of voiding the warranty.

5.1 PRELIMINARY CHECKS

Preliminary checks for First start-up

Upon completing installation, before contacting the TAC the installer must check:

- ▶ Water, electrical and gas systems suitable for the required capacities and equipped with all safety and control devices required by the regulations in force.
- ▶ Absence of leaks in the water and gas systems.
- ▶ Type of gas for which the appliance is designed (natural gas or LPG).
- ▶ Supply gas pressure complying with the values of Table 3.3 p. 28, with max tolerance $\pm 15\%$.
- ▶ Correct operation of the flue exhaust duct.
- ▶ Power supply mains complying with the appliance's rating plate data.
- ▶ Appliance correctly installed, according to the manufacturer's instructions.
- ▶ System installed in a workmanlike manner, according to national and local regulations.

Abnormal or hazardous installation situations

Should any abnormal or hazardous installation situations be

found, the TAC shall not perform first start-up and the appliance shall not be commissioned.

These situations may be:

- ▶ Appliance installed inside a room.
- ▶ Failed compliance with minimum clearances.
- ▶ Insufficient distance from combustible or flammable materials.
- ▶ Conditions that do not warrant access and maintenance in safety.
- ▶ Appliance switched on/off with the main switch, instead of the control device provided (DDC, or external request).
- ▶ Appliance defects or faults caused during transport or installation.
- ▶ Gas smell.
- ▶ Non-compliant mains gas pressure.
- ▶ Non-compliant flue gas exhaust.
- ▶ All situations that may involve operation abnormalities or are potentially hazardous.

Non-compliant system and corrective actions

Should the TAC find any non conformities, the user/installer is bound to perform any corrective procedures required by the TAC.

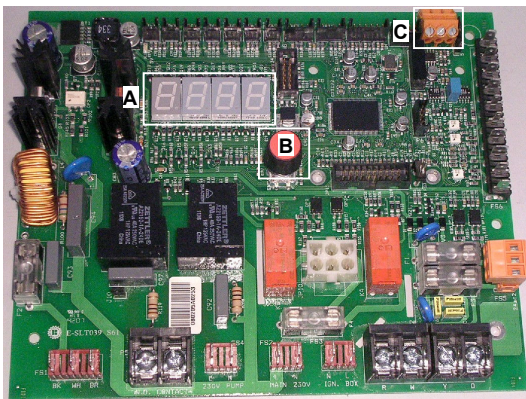
After performing the remedial actions (the installer's responsibility), if the TAC deems that safety and conformity conditions are in place, first start-up may be effected.

5.2 ELECTRONIC ADJUSTMENT ON THE MACHINE - MENUS AND PARAMETERS OF THE S61 BOARD AND OF THE AY10 BOARD

Firmware

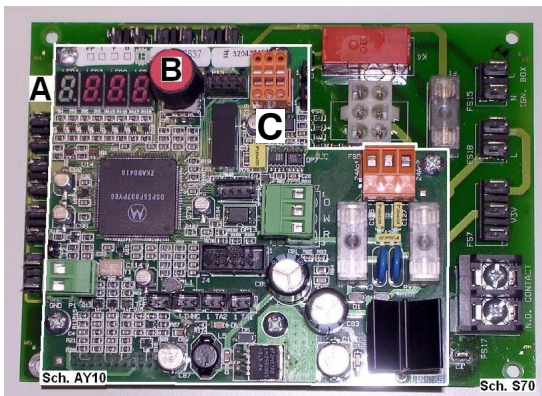
The instructions on the use of the S61 electronic board concern the **firmware version 3.035**.
The instructions on the use of the AY10 electronic board concern the **firmware version 3.108**.

Figure 5.1 S61 electronic board on GAHP/GA unit



- A 4 digit display
- B Knob
- C CAN port

Figure 5.2 AY00-120 unit electronic board (AY10+S70)



- A 4 digit display
- B Knob
- C CAN port

Display

The 4-digit displays of the boards (Detail A in Figure 5.1 p. 35 and in Figure 5.2 p. 35) are as follows:

- ▶ The **first digit** (on the left, green) indicates the menu number (e.g. "0.", "1.", "2.", ... "8.").
 - ▶ The **last three digits** (on the right, red) indicate a **code** or a **value** for a parameter, among those included in the selected menu (e.g. "_6" "_20", "161").
- (e.g. menu+parameter "1._6", "2._20", "3.161").

Knob

One of the following actions may be done with the board knob (Detail B in Figure 5.1 p. 35 and in Figure 5.2 p. 35):

- ▶ Enter the menu list (by pressing the first time).
- ▶ Scroll the menu list, or a series of parameters in a menu (by turning).
- ▶ Select a menu or a parameter (by pressing).
- ▶ Modify and confirm the setting of a parameter (turning and pressing).
- ▶ Execute a command (by pressing).
- ▶ Exit a menu and go back to the higher level by selecting the letter "E" which is displayed at the end of the menu list or of a series of parameters in a menu.

The letter "E" is displayed at the end of the menu list or of a series of parameters in a menu, and indicates the exit to go back to the higher level by pressing the knob.

Menus and Parameters

The menus may be display only (functional data or parameters), display and setting (parameters) or control (reset).

Menu for the user (but for the installer and TAC as well)

- ▶ The menu "0.", display only, for functional data detected in real time.
- ▶ The menu "1.", display only, for current values of appliance parameters.
- ▶ Menu "2.", control, to execute flame control unit reset operations, reset errors (Paragraph 7.5 p. 38).
- ▶ Menu "3.", display and setting, to set the value of some system parameters (e.g. water set point temperature); the values are initialised by the TAC at first start-up.

It is accessed without password.

Menu for the installer or TAC (not accessible to the user)

- ▶ Menu "4.", "5.", "6." and "9." are password-protected. These are specific sections, exclusively intended for qualified personnel (installer or TAC). For information see the Service manual.
- ▶ Menu "7." is display only and intended for the manufacturer.
- ▶ Menu "8." is empty, it may be selected but not used.

Special key for the knob

- To access the menus and parameters of the boards, use the special standard supplied key, fastened on the gas pipe above the electrical panel. The key allows the knob to be operated through the suitable hole in the electrical panel cover, operating safely away from live components.
- Always keep the key for future uses.



How to access the menus and parameters

Before Starting:

- (1) Power supply switch on.
- (2) Display of the board showing in sequence the detected water temperature data (if the appliance is in normal operation), or the flashing malfunction and failure codes (if the appliance is in failure).

To access the menus and parameters of the board, proceed as follows (see also Figure 5.1 p. 35 and Figure 5.2 p. 35).

1. Remove the front panel by removing the fixing screws.
2. Remove the cover of the electrical panel to access the board knob.
3. Act on the knob by means of the special key through the suitable hole.
4. Press the knob once to display the menus: the first menu is displayed, "0." (= menu 0).

5. Turn the knob clockwise to scroll down and display the other/subsequent menus; the menu numbers will be displayed in order, "1.", "2.", ... , "6." ... or "E" (= exit).
6. Select the menu of interest (e.g. display "2.____" = menu 2) by pressing the knob; the first parameter code will be displayed, in menu order (e.g. display "2._20" = parameter 20 in menu 2).
7. Turn the knob clockwise to scroll down the other parameters in the menu; the codes will be displayed in order (e.g. display "2._20", "2._21", ... "2._25" = parameters 20, 21, ... 25 in menu 2), or letter "E" (= exit) at the end of the list.
8. Select the parameter of interest (e.g. with code 161 in menu 3) by pressing the knob; the figure previously assigned to the parameter will be displayed, read only or to be set (e.g. the figure "45" for parameter 161 in menu 3 = water temperature set-point at 45 °C); if instead of a figure/setting it is a command, a flashing code is displayed (e.g. "reS1" for the flame block reset command).
9. Press the knob to reconfirm the figure; or rotate the knob to modify the figure, and press at the end to confirm or set the new figure; if however, it is a matter of controlling an appliance operation, press the knob to execute it.
10. To exit a parameter menu or the menu list and go back to the higher level, turn the knob to display the letter "E" for exit, then press the knob again.
11. Place the cover back on the electrical panel opening and fit the appliance's front panel back on.

5.3 MODIFYING SETTINGS



Modify settings via the DDC

If the device is connected to the DDC control, refer to the

relevant manual to modify settings.

How to raise/lower the water temperature setpoint

The water temperature set-point establishes the outlet temperature to the system (water output from the appliance), or inlet from the system (water input in the appliance). The temperature is pre-set by the TAC upon first start-up.



If the appliance is not connected to a DDC control, to raise/lower the water temperature setpoint with the S61 or AY10 board, proceed as follows:

1. Access menu 3 under parameter "water temperature setpoint" (for heating parameter 161, for conditioning parameter 75) by rotating and pressing the knob; the display must show "3.161" or "3._75" (procedure Paragraph 5.2 p. 35).
2. Display the parameter value by pressing the knob; the previously set value is displayed (from 10 to 65 °C for parameter 161, from 4,5 to 25 °C for parameter 75); to reconfirm the pre-existing value press the knob again, otherwise go to step 3.
3. Turn the knob to modify the value, increasing or decreasing it, and press it to set the new value.
4. Exit menu 3, and from the menu list, by selecting and pressing letter "E" twice, and go back to the normal display of detected temperature data.



Do not modify complex settings

Specific technical and system knowledge is required for complex settings. Contact a TAC.

6 NORMAL OPERATION



This section is for the end user.

6.1 WARNINGS



General warnings

Prior to using the appliance carefully read the warnings in Chapter III.1 p. 4, providing important information on regulations and on safety.



First start-up by TAC

First start-up may exclusively be carried out by a Robur TAC (Chapter 5 p. 34).



Never power the appliance off while it is running

NEVER power the appliance off while it is running (except in the event of danger, Chapter III.1 p. 4), since the appliance or system might be damaged.

6.2 SWITCH ON AND OFF



Routine switching on/off

The appliance may exclusively be switched on/off by means of the suitably provided control device (DDC or external enable).



Do not switch on/off with the power supply switch

Do not switch the appliance on/off with the power supply switch. This may be harmful and dangerous for the appliance and for the system.



Checks before switching on

Before switching on the appliance, ensure that:

- gas valve open
- appliance electrical power supply (main switch (GS) ON)
- DDC power supply (if any)
- water circuit ready

How to switch on/off

- ▶ If the appliance is controlled by a DDC (system (1) see Paragraph 1.6 p. 20), refer to the relevant manual.
- ▶ If the appliance is controlled by external enables (e.g. thermostat, clock, button, ... with clean contact NO), (system (2)

see Paragraph 1.6 p. 20), the appliance is switched on/off by the ON/OFF positions of the external control devices. After switching on with the control, in normal operating conditions, the appliance starts/stops automatically according to the user's heating/cooling needs, supplying hot or chilled water at the programmed temperature.



Although the external request is in the "ON" position, this does not mean the appliance will start immediately, but it will only start when there are actual service demands.

6.3 MODIFYING SETTINGS



Modify settings via the DDC

If the device is connected to the DDC control, refer to the

relevant manual to modify settings.



Do not modify complex settings

Specific technical and system knowledge is required for complex settings. Contact a TAC.

6.4 EFFICIENCY

For increased appliance efficiency:

- ▶ Keep the finned coil clean.
- ▶ Set water temperature to the actual system requirement.
- ▶ Reduce repeated switch-ons to the minimum (low loads).
- ▶ Program appliance activation for actual periods of use.
- ▶ Keep water and air filters on plumbing and ventilation systems clean.

7 MAINTENANCE

7.1 WARNINGS



Correct maintenance prevents problems, assures efficiency and keeps running costs low.



Maintenance operations described herein may exclusively be performed by the TAC or skilled maintenance technician.



Any operation on internal components may exclusively be performed by the TAC.



Before performing any operation, switch off the appliance by means of the control device (DDC or external enable) and wait for the end of the shutdown cycle, then disconnect power and gas supply, by acting on the electrical disconnecter and gas valve.



The efficiency checks and every other "check and maintenance operation" (see Tables 7.1 p. 37 and 7.2 p. 38) must be performed with a frequency according to current regulations or, if more restrictive, according to the provisions set forth by the manufacturer, installer or TAC.



Responsibility for efficiency checks, to be carried out for the aims of restricting energy consumption, lies with the system manager.



Environmental or operational heavy conditions

In environmental or operational conditions particularly heavy (for example: heavy-duty use of the appliance, salty environment, etc.), maintenance and cleaning operations must be more frequent.

7.2 PRE-EMPTIVE MAINTENANCE

For pre-emptive maintenance, comply with the recommendations in Table 7.1 p. 37.

Table 7.1

	GAHP A	GAHP GS/WS	AY00-120	GA ACF	GAHP-AR	
Guidelines for the preventive maintenance operations						
Check of the unit	visually check of the general condition of the unit and of its finned coil	√ (1)	-	-	√ (1)	√ (1)
	check the correct operation of the device used for monitoring the water flow	√	√	√	√	√
	check the % value of CO ₂	√	√	√	-	-
	check gas pressure to the burners	-	-	-	√	√
	check that the condensate discharge is clean (If necessary, frequency of the maintenance operation must be increased)	√	√	√	-	-
	replace the belts after 6 years or 12,000 hours of operation	√	√	-	√	√
	check/restore the pressure of the primary hydronic circuit	-	-	√	-	-
Check for every DDC or CCI	check that the plant is able to achieve the setpoint temperature	√	√	√	√	√
	download the event history	√	√	√	√	√

(1) It is suggested to clean the finned coil once every 4 years (optimal frequency of the cleaning operation is in any case strongly affected by the installation site). Avoid excessively aggressive cleaning of the finned coil (e.g. high-pressure washer).

7.3 SCHEDULED ROUTINE MAINTENANCE

For scheduled routine maintenance, perform the operations in Table 7.2 p. 38, at least once every 2 years.

Table 7.2

		GAHP A	GAHP GS/WS	AY00-120	GA ACF	GAHP-AR
Ordinary scheduled maintenance						
Check of the unit	clean the combustion chamber	√ (1)	√ (1)	√	√	√ (1)
	clean the burner	√ (1)	√ (1)	√	√	√ (1)
	clean the ignition and flame sensor electrodes	√	√	√	√	√
	check that the condensate discharge is clean	√	√	√	-	-
	replace the silicone gasket between the front plate and the exchanger	-	-	√	-	-

(1) Only in case the analysis of combustion products is non-compliant.

7.4 MESSAGES ON THE DISPLAY

4 digit display

The S61 board and the AY10 board (Figures 5.1 p. 35 and 5.2 p. 35) are fitted with a 4-digit display, visible through the sight glass of the respective front panels.

- ▶ When the appliance is powered on, all the LEDs switch on for 3 sec, then the board name is displayed.
- ▶ After another 15 sec, the appliance is ready to operate.

Signals in normal operation

- ▶ During normal operation, water temperature values alternate on the display: output, input and the difference between the two.

Signals in the event of fault

In the event of fault the display blinks indicating an operational code (first letter on the display: "E" = error, or "U" = warning).

The display rotates after the values of the outlet water temperature, the inlet and the difference between them.

If multiple events are active, they are shown in sequence, ordered by increasing code number.

If warning or error events are active, the left green symbol, shown together with water temperature data, blinks.

If it is a permanent error or warning the appliance stops.

(Table 8.1 p. 39 and Table 8.2 p. 41).

7.5 RESTARTING A LOCKED-DOWN UNIT

Fault signals on the display

In the event of locked-down appliance, an operational code flashes on the display (first green figure on the left, letter "U" = warning or "E" = error).

- ▶ To restart the appliance you must know and perform the procedure concerning the issue signalled and identified by the code (Paragraph 8.1 p. 39).
- ▶ Only act if you are familiar with the issue and with the procedure (technical expertise and professional qualifications might be required).
- ▶ If you do not know the code, the problem, or the procedure, or you do not have sufficient skills, and in any case of doubt, contact the TAC.

Locked-down appliance

An external intervention (reset or repair) is required due to an appliance fault or problem with the system.

- ▶ A reset may be enough for a temporary and provisional fault.
- ▶ For a fault or breakdown, alert the maintenance technician or TAC.

Reset

There are two options for resetting a fault:

(1) If the appliance is connected to a DDC you may act through the control device, as described in the relevant manual.

(2) You may act directly from the board as described below (if the appliance is controlled with external enable, this is the only option).



How to perform reset from the S61 and AY10 boards

To perform the reset directly from the board:

1. Access Menu 2 under Parameter "_20", (for AY00-120 units) or Parameter "__0" (for GAHP-AR units) to reset flame lock-out (Error E_12), or Parameter "_21" (for AY00-120 units) or "_1" (for GAHP-AR units) for any other generic reset, turning and pressing the knob; "2._20"/"2._21" or "2._0"/"2._1" must be displayed (procedure Paragraph 5.2 p. 35).
2. Press the knob to display the flashing reset request (e.g. "reS1" to reset flame block).
3. Press the knob again (the second time) to perform the reset; the reset request stops flashing, then "2._XX" is displayed again (e.g. "2._20"). The reset operation has been performed.
4. Exit menu 2 and the menu list, by selecting and pressing letter "E" twice, and go back to the normal display of detected temperature data.

7.6 PERIODS OF INACTIVITY



Avoid emptying the installation

Emptying the system may cause damage due to corrosion of the water pipes.



Deactivate the system in winter

Should you intend to stop the appliance in the winter season, ensure at least one of the following conditions:

1. antifreeze function active (Paragraph 3.5 p. 26)
2. sufficient anti-icing glycol (Paragraph 3.6 p. 27)

Prolonged periods of inactivity

- ▶ Should you foresee to leave the appliance inactive for a long period of time, disconnect it from the electrical and gas mains. These operations must be performed by qualified personnel.



How to deactivate the appliance for long periods of

time

1. Switch the appliance off (Paragraph 6.2 p. 36).
2. Only when the appliance is completely off, power it off with the main switch/disconnector switch (Detail GS in Figure 4.2 p. 31).
3. Close the gas valve.
4. If necessary, add water with glycol (if the appliance is disconnected from the power and gas mains, the active anti-icing protection is missing, Paragraph 3.5 p. 26).

**How to reactivate the appliance after long periods of inactivity**

Before reactivating the appliance, the operator/maintenance technician of the system must first of all:

- Check whether any maintenance operations are

required (contact the TAC; see Paragraphs 7.2 p. 37 and 7.3 p. 38).

- Check content and quality of the water in the system, and if necessary top it up (Paragraphs 3.8 p. 28, 3.7 p. 27 and 3.6 p. 27).
 - Ensure the flue gas exhaust duct is not obstructed, and that the condensate drain is clean.
- After completing the above checks:
1. Open the gas valve and ensure there are no leaks; should gas smell be noticed, close the gas valve again, do not switch any electrical devices on and request intervention by qualified personnel.
 2. Power on with the main power supply switch (GS, Figure 4.2 p. 31).
 3. Switch on the appliance by means of the provided control device (DDC or external request, Paragraph 4.4 p. 31).

8 DIAGNOSTICS

8.1 OPERATIVE CODES

Table 8.1 Operative codes GAHP-AR

Code	Description	Warning (u)	Error (E)
600	Flame controller reset circuit fault	NA	Power cycle the appliance. If the code persists, shows up again or in case of doubt, contact the TAC.
601	Limit thermostat trip	Contact authorised Technical Assistance	
602	Flue gas thermostat trip	Contact authorised Technical Assistance	
603	Chilled water antifreeze thermostat trip	Reset is automatic when the triggering condition ceases.	NA
604	Insufficient ventilation in cooling mode	Reset occurs automatically 20 minutes after the code is generated.	Reset may be performed from the DDC or from the S61 board (menu 2, parameter 1). If the code persists, shows up again or in case of doubt, contact the TAC.
605	Outdoor temperature exceeding operational limits	NA	Reset is automatic when the triggering condition ceases.
606	Outdoor temperature below operational limits	Non-blocking Warning (informative code). The code is reset automatically when the triggering condition ceases.	NA
607	High generator temperature	Reset is automatic when the triggering condition ceases.	Reset may be performed from the DDC or from the S61 board (menu 2, parameter 1). If the code persists, shows up again or in case of doubt, contact the TAC.
608	Flame controller error	NA	Contact authorised Technical Assistance
610	Low water flow	Reset is automatic when the triggering condition ceases.	Check and clean water filters on the system. Check for air in the system. Check water flow pump. Power cycle the appliance. Reset may be performed from the DDC or from the S61 board (menu 2, parameter 1). If the code persists, shows up again or in case of doubt, contact the TAC.
611	Insufficient rotation of oil pump	Reset occurs automatically 20 minutes after the code is generated.	Reset may be performed from the DDC or from the S61 board (menu 2, parameter 1). If the code persists, shows up again or in case of doubt, contact the TAC.
612	Flame controller lockout	Reset is automatic up to 4 attempts (in about 5 minutes).	Check gas supply. Reset may be performed from the DDC or from the S61 board (menu 2, parameter 0). If the code persists or in case of doubt, contact the TAC.
616	Chilled water delivery temperature probe fault	NA	Reset may be performed from the DDC or from the S61 board (menu 2, parameter 1). If the code persists, shows up again or in case of doubt, contact the TAC.

617	Chilled water inlet temperature probe fault	NA	Reset may be performed from the DDC or from the S61 board (menu 2, parameter 1). If the code persists, shows up again or in case of doubt, contact the TAC.
618	Condenser temperature probe fault	NA	Reset is automatic in case of switching from "cold" to "hot" mode. Reset may be performed from the DDC or from the S61 board (menu 2, parameter 1). If the code persists, shows up again or in case of doubt, contact the TAC.
620	Generator temperature probe fault	NA	Reset may be performed from the DDC or from the S61 board (menu 2, parameter 1). If the code persists, shows up again or in case of doubt, contact the TAC.
626	Generator fins temperature probe fault	Reset is automatic when the triggering condition ceases.	Reset may be performed from the DDC or from the S61 board (menu 2, parameter 1). If the code persists, shows up again or in case of doubt, contact the TAC.
628	Flame controller error	NA	Power off the appliance. Contact the TAC.
629	Gas solenoid valve without electrical power	Reset occurs automatically if the gas solenoid valve switches on again within 10 minutes (with central flame control unit on).	Reset may be performed from the DDC or from the S61 board (menu 2, parameter 1). If the code persists, shows up again or in case of doubt, contact the TAC.
630	High flue gas or generator fins temperature	Reset is automatic when the triggering condition ceases.	Reset may be performed from the DDC or from the S61 board (menu 2, parameter 1). If the code persists, shows up again or in case of doubt, contact the TAC.
631	Hot water temperature exceeding operational limits	Check configuration of other heat generators on the system. Check water flow. Check system thermal load. Reset is automatic when the triggering condition ceases.	NA
632	Chilled water temperature exceeding operational limits	Check configuration of other chillers on the system. Check water flow. Check system's chilling load. Reset is automatic when the triggering condition ceases.	NA
634	-	Contact the TAC.	NA
644	Evaporator temperature probe fault	NA	Reset is automatic in case of switching from "hot" to "cold" mode. Reset may be performed from the DDC or from the S61 board (menu 2, parameter 1). If the code persists, shows up again or in case of doubt, contact the TAC.
646	High hot water inlet temperature	Check configuration of other heat generators on the system. Reset is automatic and occurs if the generating condition ceases with circulating pump on or 20 minutes after the code is generated with circulating pump off.	NA
647	Hot water inlet temperature below operational limits	Reset occurs automatically when the generating cause resolves or 430 seconds after the code is generated.	Reset is automatic in case of switching from "hot" to "cold" mode. Reset may be performed from the DDC or from the S61 board (menu 2, parameter 1). If the code shows up again or in case of doubt contact the TAC.
648	High hot water differential temperature	Check water flow. Reset occurs automatically 20 minutes after the code is generated.	Reset is automatic in case of switching from "hot" to "cold" mode. Reset may be performed from the DDC or from the S61 board (menu 2, parameter 1). If the code shows up again or in case of doubt contact the TAC.
649	Missing auxiliary board	NA	Contact the TAC.
651	Cooling antifreeze function activated	Non-blocking Warning (informative code). The code clears automatically when antifreeze function execution ends.	NA
652	Defrosting cycle activated	Non-blocking Warning (informative code). The code clears automatically when execution of defrosting ends.	NA
654	Inversion valve in opposite position	NA	Reset is automatic in case of new switching and discontinuation of the generating cause. If the code shows up again or in case of doubt contact the TAC.
655	Inversion valve in unknown position	NA	Reset is automatic in case of new switching and discontinuation of the generating cause. If the code shows up again or in case of doubt contact the TAC.

656	Inversion valve in uncertain position	NA	Reset is automatic in case of new switching and discontinuation of the generating cause. If the code shows up again or in case of doubt contact the TAC.
660	Defrosting valve has failed to open	Non-blocking Warning (informative code). Reset is automatic, however, it is advisable to contact the TAC.	Reset may be performed from the DDC or from the S61 board (menu 2, parameter 1). If the code shows up again or in case of doubt contact the TAC.
661	Oil pump priming cycle activated	The priming cycle lasts 30' if activated manually or 10 minutes if activated automatically. Reset is automatic when the triggering condition ceases.	NA
678	High hot water delivery temperature	Reset is automatic in case of switching from "hot" to "cold" mode. Reset is automatic when the triggering condition ceases.	NA
679	Heating antifreeze function activated	Non-blocking Warning (informative code). The code clears automatically when antifreeze function execution ends.	NA
80/680	Incomplete functional parameters	Contact the TAC.	
681	Invalid bank 1 parameters	Reset is automatic when the triggering condition ceases.	Contact the TAC.
682	Invalid bank 2 parameters	Reset is automatic when the triggering condition ceases.	Contact the TAC.
683	RY and RW contacts simultaneously activated	Reset is automatic when the triggering condition ceases.	NA
684	Transformer or 24 Vac fuse fault	NA	Contact the TAC.
685	Invalid module type configuration parameters	NA	Contact the TAC.
686	ROM board fault	NA	Contact the TAC.
687	pRAM board fault	NA	Contact the TAC.
688	xRAM board fault	NA	Contact the TAC.
689	Registers board fault	NA	Contact the TAC.
690	Outdoor temperature probe fault	NA	Reset may be performed from the DDC or from the S61 board (menu 2, parameter 1). If the code persists, shows up again or in case of doubt, contact the TAC.
691	Electronic board fault	NA	Contact the TAC.

NA: Not Applicable

Table 8.2 Operative Codes AY00-120

Code	Description	Warning (u)	Error (E)
100	Flame controller reset circuit fault	NA	Power cycle the appliance. If the code persists, shows up again or in case of doubt, contact the TAC.
101	Limit thermostat trip	Contact authorised Technical Assistance	
102	Flue gas thermostat trip	Contact authorised Technical Assistance	
103	Missing S70 board	NA	Contact authorised Technical Assistance
105	Outdoor temperature exceeding operational limits	NA	Reset is automatic when the triggering condition ceases.
106	Outdoor temperature below operational limits	Non-blocking Warning (informative code). The code is reset automatically when the triggering condition ceases.	NA
107	Hot water flow while system in cooling mode	Reset is automatic when the triggering condition ceases.	NA
112	Flame controller lockout	Reset is automatic up to 4 attempts (in about 5 minutes).	Check gas supply. Reset may be performed from the DDC or from the AY10 board (menu 2, parameter 20). If the code persists or in case of doubt, contact the TAC.
127	Internal appliance circuit low water flow	Reset is automatic when the triggering condition ceases.	Reset may be performed from the DDC or from the AY10 board (menu 2, parameter 21). If the code persists or in case of doubt, contact the TAC.
128	Flame controller error	NA	Power off the appliance. Contact the TAC.
129	Gas solenoid valve without electrical power	Reset occurs automatically if the gas solenoid valve switches on again within 10 minutes (with central flame control unit on).	Reset may be performed from the DDC or from the AY10 board (menu 2, parameter 21). If the code persists, shows up again or in case of doubt, contact the TAC.
135	Internal appliance circuit delivery water temperature probe fault	NA	Reset may be performed from the DDC or from the AY10 board (menu 2, parameter 21). If the code persists, shows up again or in case of doubt, contact the TAC.

136	Blower fault	Reset occurs automatically 20 minutes after the code is generated.	Reset may be performed from the DDC or from the AY10 board (menu 2, parameter 21). If the code persists, shows up again or in case of doubt, contact the TAC.
175	Low hot water flow	Reset is automatic when the triggering condition ceases.	Check and clean water filters on the system. Check for air in the system. Check water flow pump. Power cycle the appliance. Reset may be performed from the DDC or from the AY10 board (menu 2, parameter 21). If the code persists, shows up again or in case of doubt, contact the TAC.
176	Hot water delivery temperature probe fault	NA	Reset may be performed from the DDC or from the AY10 board (menu 2, parameter 21). If the code persists, shows up again or in case of doubt, contact the TAC.
177	Hot water inlet temperature probe fault	NA	Reset may be performed from the DDC or from the AY10 board (menu 2, parameter 21). If the code persists, shows up again or in case of doubt, contact the TAC.
178	High hot water delivery temperature	Reset is automatic when the triggering condition ceases.	NA
179	Heating antifreeze function activated	Non-blocking Warning (informative code). The code clears automatically when antifreeze function execution ends.	NA
80	Incomplete functional parameters	Contact the TAC.	
81	Invalid bank 1 parameters	Reset is automatic when the triggering condition ceases.	Contact the TAC.
82	Invalid bank 2 parameters	Reset is automatic when the triggering condition ceases.	Contact the TAC.
84	Transformer or 24 Vac fuse fault	NA	Contact the TAC.
85	Invalid module type configuration parameters	NA	Contact the TAC.
86	ROM board fault	NA	Contact the TAC.
87	pRAM board fault	NA	Contact the TAC.
88	xRAM board fault	NA	Contact the TAC.
89	Registers board fault	NA	Contact the TAC.
90	Outdoor temperature probe fault	NA	Reset may be performed from the DDC or from the AY10 board (menu 2, parameter 21). If the code persists, shows up again or in case of doubt, contact the TAC.
91	Electronic board fault	NA	Contact the TAC.

NA: Not Applicable

9 APPENDICES

9.1 PRODUCT FICHE

Figure 9.1

Table 8
COMMISSION DELEGATED REGULATION (EU) No 811/2013

Technical parameters for heat pump space heaters and heat pump combination heaters

Model(s):	Gitié ARAY STD						
Air-to-water heat pump:	yes						
Water-to-water heat pump:	no						
Brine-to-water heat pump:	no						
Low-temperature heat pump:	no						
Equipped with a supplementary heater:	yes						
Heat pump combination heater:	no						
Parameters shall be declared for medium-temperature application.							
Parameters shall be declared for average, colder and warmer climate conditions.							
Item	Symbol	Value	Unit	Item	Symbol	Value	Unit
AVERAGE CLIMATE CONDITIONS							
Rated heat output (*)	<i>Prated</i>	65,4	kW	Seasonal space heating energy efficiency	η_s	113	%
Declared capacity for heating for part load at indoor temperature 20 °C and outdoor temperature T_j				Declared coefficient of performance or primary energy ratio for part load at indoor temperature 20 °C and outdoor temperature T_j			
$T_j = -7$ °C	<i>Pdh</i>	57,6	kW	$T_j = -7$ °C	<i>PERd</i>	99	%
$T_j = +2$ °C	<i>Pdh</i>	35,3	kW	$T_j = +2$ °C	<i>PERd</i>	120	%
$T_j = +7$ °C	<i>Pdh</i>	22,9	kW	$T_j = +7$ °C	<i>PERd</i>	122	%
$T_j = +12$ °C	<i>Pdh</i>	9,8	kW	$T_j = +12$ °C	<i>PERd</i>	116	%
T_j = bivalent temperature	<i>Pdh</i>	37,9	kW	T_j = bivalent temperature	<i>PERd</i>	118	%
Bivalent temperature	T_{biv}	1,0	°C				
Annual energy consumption	Q_{HE}	431	GJ				
COLDER CLIMATE CONDITIONS							
Rated heat output (*)	<i>Prated</i>	63,4	kW	Seasonal space heating energy efficiency	η_s	110	%
Declared capacity for heating for part load at indoor temperature 20 °C and outdoor temperature T_j				Declared coefficient of performance or primary energy ratio for part load at indoor temperature 20 °C and outdoor temperature T_j			
$T_j = -7$ °C	<i>Pdh</i>	38,7	kW	$T_j = -7$ °C	<i>PERd</i>	110	%
$T_j = +2$ °C	<i>Pdh</i>	23,5	kW	$T_j = +2$ °C	<i>PERd</i>	119	%
$T_j = +7$ °C	<i>Pdh</i>	15,2	kW	$T_j = +7$ °C	<i>PERd</i>	118	%
$T_j = +12$ °C	<i>Pdh</i>	7,0	kW	$T_j = +12$ °C	<i>PERd</i>	117	%
T_j = bivalent temperature	<i>Pdh</i>	34,9	kW	T_j = bivalent temperature	<i>PERd</i>	113	%
T_j = operation limit temperature	<i>Pdh</i>	63,4	kW	T_j = operation limit temperature	<i>PERd</i>	90	%
For air-to-water heat pumps: $T_j = -15$ °C (if TOL < -20 °C)	<i>Pdh</i>	52,0	kW	For air-to-water heat pumps: $T_j = -15$ °C (if TOL < -20 °C)	<i>PERd</i>	92	%
Bivalent temperature	T_{biv}	-5,0	°C				
Annual energy consumption	Q_{HE}	511	GJ				
WARMER CLIMATE CONDITIONS							
Rated heat output (*)	<i>Prated</i>	68,3	kW	Seasonal space heating energy efficiency	η_s	117	%
Declared capacity for heating for part load at indoor temperature 20 °C and outdoor temperature T_j				Declared coefficient of performance or primary energy ratio for part load at indoor temperature 20 °C and outdoor temperature T_j			
$T_j = +2$ °C	<i>Pdh</i>	68,3	kW	$T_j = +2$ °C	<i>PERd</i>	101	%
$T_j = +7$ °C	<i>Pdh</i>	43,7	kW	$T_j = +7$ °C	<i>PERd</i>	121	%
$T_j = +12$ °C	<i>Pdh</i>	19,8	kW	$T_j = +12$ °C	<i>PERd</i>	121	%
T_j = bivalent temperature	<i>Pdh</i>	38,9	kW	T_j = bivalent temperature	<i>PERd</i>	125	%
Annual energy consumption	Q_{HE}	281	GJ				
Bivalent temperature	T_{biv}	8,0	°C	For air-to-water heat pumps: Operation limit temperature	<i>TOL</i>	-22	°C
Power consumption in modes other than active mode				Heating water operating limit temperature	<i>WTOL</i>	60	°C
Off mode	P_{OFF}	0,000	kW	Supplementary heater			
Thermostat-off mode	P_{TO}	0,043	kW	Rated heat output	P_{sup}	34,4	kW
Standby mode	P_{SB}	0,011	kW	Type of energy input	monovalent		
Crankcase heater mode	P_{CK}	-	kW				
Other items							
Capacity control	fixed			For air-to-water heat pumps: Rated air flow rate, outdoors	—	11000	m ³ /h
Sound power level, indoors/outdoors	L_{WA}	- / 80	dB	For water- or brine-to-water heat pumps: Rated brine or water flow rate, outdoor heat exchanger	—	-	m ³ /h
Contact details	Robur SPA, Via Parigi 4/6, I-24040 Zingonia (BG)						

(*) For heat pump space heaters and heat pump combination heaters, the rated heat output *Prated* is equal to the design load for heating *Pdesignh*, and the rated heat output of a supplementary heater *Psup* is equal to the supplementary capacity for heating *sup(Tj)*.

Additional information required by COMMISSION REGULATION (EU) No 813/2013, Table 2:

Emissions of nitrogen oxides: NO_x 48 mg/kWh

Figure 9.2

Table 8
COMMISSION DELEGATED REGULATION (EU) No 811/2013

Technical parameters for heat pump space heaters and heat pump combination heaters

Model(s):	Gitiè ARAY S						
Air-to-water heat pump:	yes						
Water-to-water heat pump:	no						
Brine-to-water heat pump:	no						
Low-temperature heat pump:	no						
Equipped with a supplementary heater:	yes						
Heat pump combination heater:	no						
Parameters shall be declared for medium-temperature application.							
Parameters shall be declared for average, colder and warmer climate conditions.							
Item	Symbol	Value	Unit	Item	Symbol	Value	Unit
AVERAGE CLIMATE CONDITIONS							
Rated heat output (*)	<i>Prated</i>	65,4	kW	Seasonal space heating energy efficiency	η_s	113	%
Declared capacity for heating for part load at indoor temperature 20 °C and outdoor temperature T_j				Declared coefficient of performance or primary energy ratio for part load at indoor temperature 20 °C and outdoor temperature T_j			
$T_j = -7\text{ °C}$	<i>Pdh</i>	57,6	kW	$T_j = -7\text{ °C}$	<i>PERd</i>	99	%
$T_j = +2\text{ °C}$	<i>Pdh</i>	35,3	kW	$T_j = +2\text{ °C}$	<i>PERd</i>	120	%
$T_j = +7\text{ °C}$	<i>Pdh</i>	22,9	kW	$T_j = +7\text{ °C}$	<i>PERd</i>	122	%
$T_j = +12\text{ °C}$	<i>Pdh</i>	9,8	kW	$T_j = +12\text{ °C}$	<i>PERd</i>	116	%
$T_j = \text{bivalent temperature}$	<i>Pdh</i>	37,9	kW	$T_j = \text{bivalent temperature}$	<i>PERd</i>	118	%
Bivalent temperature	<i>T_{bv}</i>	1,0	°C				
Annual energy consumption	<i>Q_{HE}</i>	431	GJ				
COLDER CLIMATE CONDITIONS							
Rated heat output (*)	<i>Prated</i>	63,4	kW	Seasonal space heating energy efficiency	η_s	110	%
Declared capacity for heating for part load at indoor temperature 20 °C and outdoor temperature T_j				Declared coefficient of performance or primary energy ratio for part load at indoor temperature 20 °C and outdoor temperature T_j			
$T_j = -7\text{ °C}$	<i>Pdh</i>	38,7	kW	$T_j = -7\text{ °C}$	<i>PERd</i>	110	%
$T_j = +2\text{ °C}$	<i>Pdh</i>	23,5	kW	$T_j = +2\text{ °C}$	<i>PERd</i>	119	%
$T_j = +7\text{ °C}$	<i>Pdh</i>	15,2	kW	$T_j = +7\text{ °C}$	<i>PERd</i>	118	%
$T_j = +12\text{ °C}$	<i>Pdh</i>	7,0	kW	$T_j = +12\text{ °C}$	<i>PERd</i>	117	%
$T_j = \text{bivalent temperature}$	<i>Pdh</i>	34,9	kW	$T_j = \text{bivalent temperature}$	<i>PERd</i>	113	%
$T_j = \text{operation limit temperature}$	<i>Pdh</i>	63,4	kW	$T_j = \text{operation limit temperature}$	<i>PERd</i>	90	%
For air-to-water heat pumps: $T_j = -15\text{ °C}$ (if TOL < -20 °C)	<i>Pdh</i>	52,0	kW	For air-to-water heat pumps: $T_j = -15\text{ °C}$ (if TOL < -20 °C)	<i>PERd</i>	92	%
Bivalent temperature	<i>T_{bv}</i>	-5,0	°C				
Annual energy consumption	<i>Q_{HE}</i>	511	GJ				
WARMER CLIMATE CONDITIONS							
Rated heat output (*)	<i>Prated</i>	68,3	kW	Seasonal space heating energy efficiency	η_s	117	%
Declared capacity for heating for part load at indoor temperature 20 °C and outdoor temperature T_j				Declared coefficient of performance or primary energy ratio for part load at indoor temperature 20 °C and outdoor temperature T_j			
$T_j = +2\text{ °C}$	<i>Pdh</i>	68,3	kW	$T_j = +2\text{ °C}$	<i>PERd</i>	101	%
$T_j = +7\text{ °C}$	<i>Pdh</i>	43,7	kW	$T_j = +7\text{ °C}$	<i>PERd</i>	121	%
$T_j = +12\text{ °C}$	<i>Pdh</i>	19,8	kW	$T_j = +12\text{ °C}$	<i>PERd</i>	121	%
$T_j = \text{bivalent temperature}$	<i>Pdh</i>	38,9	kW	$T_j = \text{bivalent temperature}$	<i>PERd</i>	125	%
Annual energy consumption	<i>Q_{HE}</i>	281	GJ				
Bivalent temperature	<i>T_{bv}</i>	8,0	°C	For air-to-water heat pumps: Operation limit temperature	<i>TOL</i>	-22	°C
				Heating water operating limit temperature	<i>WTOL</i>	60	°C
Power consumption in modes other than active mode				Supplementary heater			
Off mode	<i>P_{OFF}</i>	0,000	kW	Rated heat output	<i>P_{sup}</i>	34,4	kW
Thermostat-off mode	<i>P_{TO}</i>	0,043	kW	Type of energy input	monovalent		
Standby mode	<i>P_{SB}</i>	0,011	kW				
Crankcase heater mode	<i>P_{CK}</i>	-	kW				
Other items							
Capacity control	fixed			For air-to-water heat pumps: Rated air flow rate, outdoors	—	11000	m ³ /h
Sound power level, indoors/outdoors	<i>L_{WA}</i>	- / 75	dB	For water- or brine-to-water heat pumps: Rated brine or water flow rate, outdoor heat exchanger	—	-	m ³ /h
Contact details	Robur SPA, Via Parigi 4/6, I-24040 Zingonia (BG)						

(*) For heat pump space heaters and heat pump combination heaters, the rated heat output *Prated* is equal to the design load for heating *Pdesignh*, and the rated heat output of a supplementary heater *Psup* is equal to the supplementary capacity for heating *sup(Tj)*.

Additional information required by COMMISSION REGULATION (EU) No 813/2013, Table 2:

Emissions of nitrogen oxides: NO_x 48 mg/kWh

Robur mission

Robur is dedicated to dynamic progression in research, development and promotion of safe, environmentally-friendly, energy-efficiency products, through the commitment and caring of its employees and partners.



Robur S.p.A.
advanced technologies
for climate conditioning
via Parigi 4/6
24040 Verdellino/Zingonia (BG) Italy
+39 035 888111 - F +39 035 884165
www.robur.it robur@robur.it

