

Description and application

Ceiling diffusers are designed for gravity ventilation, low and medium pressure systems and air conditioning systems, primarily exhaust air. For assembly on rectangular ventilation ducts, plenum boxes and suspended ceilings. The air flow adjusted with a damper with counter running blades GP located directly behind the anemostat or single-leaf damper P on plenum box spigot.

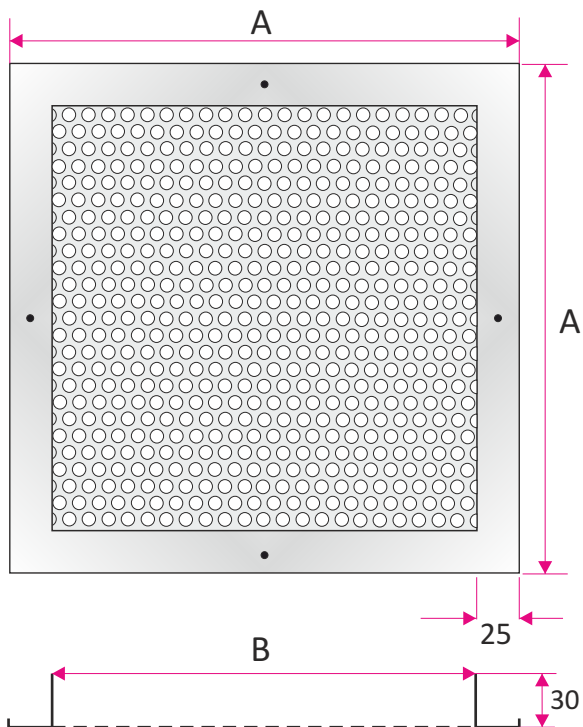
Anemostat diffuser has Hygienic Certificate HK/K/0522/01/2016

Material and workmanship

Anemostats are made of galvanized sheet steel powder coated, standard on the white color 9016. On customer request can be powder coated to any color from the RAL palette and special execution of stainless steel or aluminum. Possibility to make diffuser with perforation of different sizes clearance and to make without a frame which surrounds anemostat.

Size

The anemostat diffusers are manufactured on order. Examples dimensions of the diffusers are given in the table.



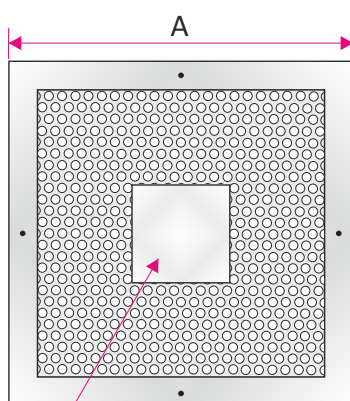
Examples of air flow surface
- perforation Rv 8-10

Size	A	B	Aef (m ²)
0	190x190	140x140	0,011
1	245x245	195x195	0,022
2	301x301	251x251	0,037
3	357x357	307x307	0,055
4	412x412	362x362	0,076
5	469x469	419x419	0,102
6	498x498	448x448	0,116
7	595x595	545x545	0,172
8	623x623	573x573	0,190

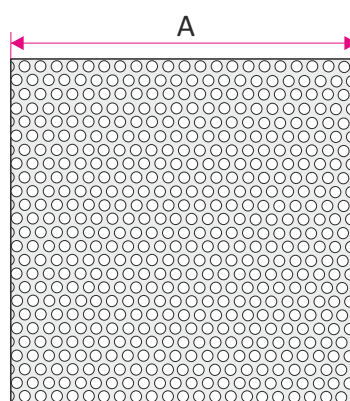
Other dimensions are produced on customer request

Variants of the plate

AW/N anemostat with veil



AW/B anemostat without frame



On request plate the diffuser can be made of perforated of different sizes and configuration mesh, and model.

The relative clearance :

Rv 4-6 - mesh $\phi 4$ - 40,31%

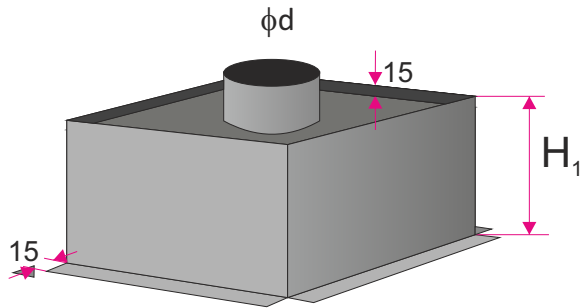
Rv 6-8 - mesh $\phi 6$ - 51,02%

Rv 8-10 - mesh $\phi 8$ - 58,05%

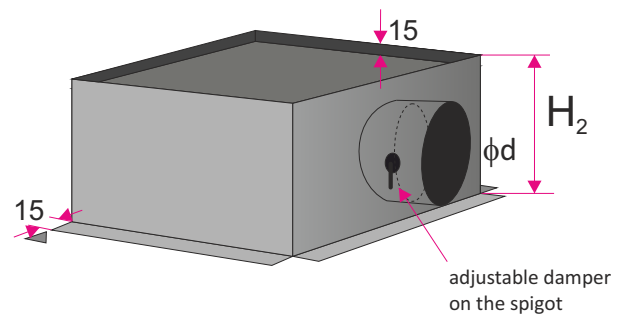
The shape and size of the veil to be negotiated

Accessories- plenum box

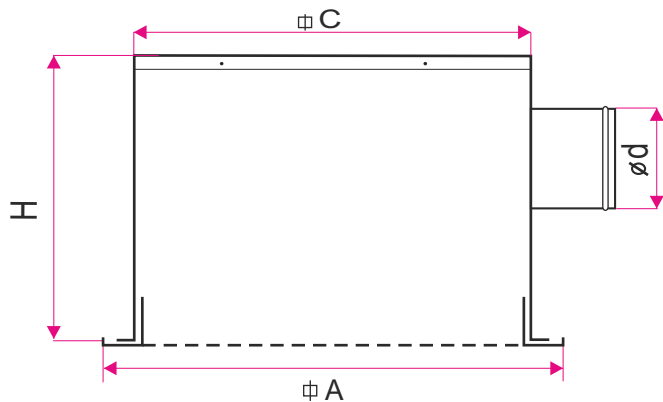
Plenum box is made of galvanized steel. On request it can be equipped with a damper control onto the connected spigot. The plenum box can be isolated inside with rubber (acoustic) or outside with mineral wool (thermal). In the standard height of the plenum box is adapted to size of the spigot or diffuser size (you can specify the height of the plenum box).



Rectangular plenum box with the spigot on the top **SR-Gc**



Rectangular plenum box with the spigot on the side **SR-Bc**

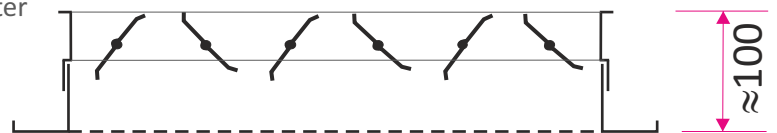


A	C	H1	H2	ϕd
190x190	149x149	310	280	123
245x245	204x204	310	280	158
301x301	260x260	310	280	158
357x357	316x316	310	280	198
412x412	372x372	310	280	198
469x469	428x428	310	330	248
498x498	457x457	310	330	248
595x595	557x557	310	380	313
623x623	582x582	310	380	313

Other dimensions are produced on customer request

Accessories - damper with counter running blades GP

Anemostat can also be equipped with a damper with counter running blades, localized directly behind the anemostat. Damper control is possible from the panel side, without previous disassembly the diffuser.



Methods of mounting

W1



Assembly invisible on the construction of the suspended ceiling - anemostat panel 595x595 - anemostat without mounting holes in the panel.

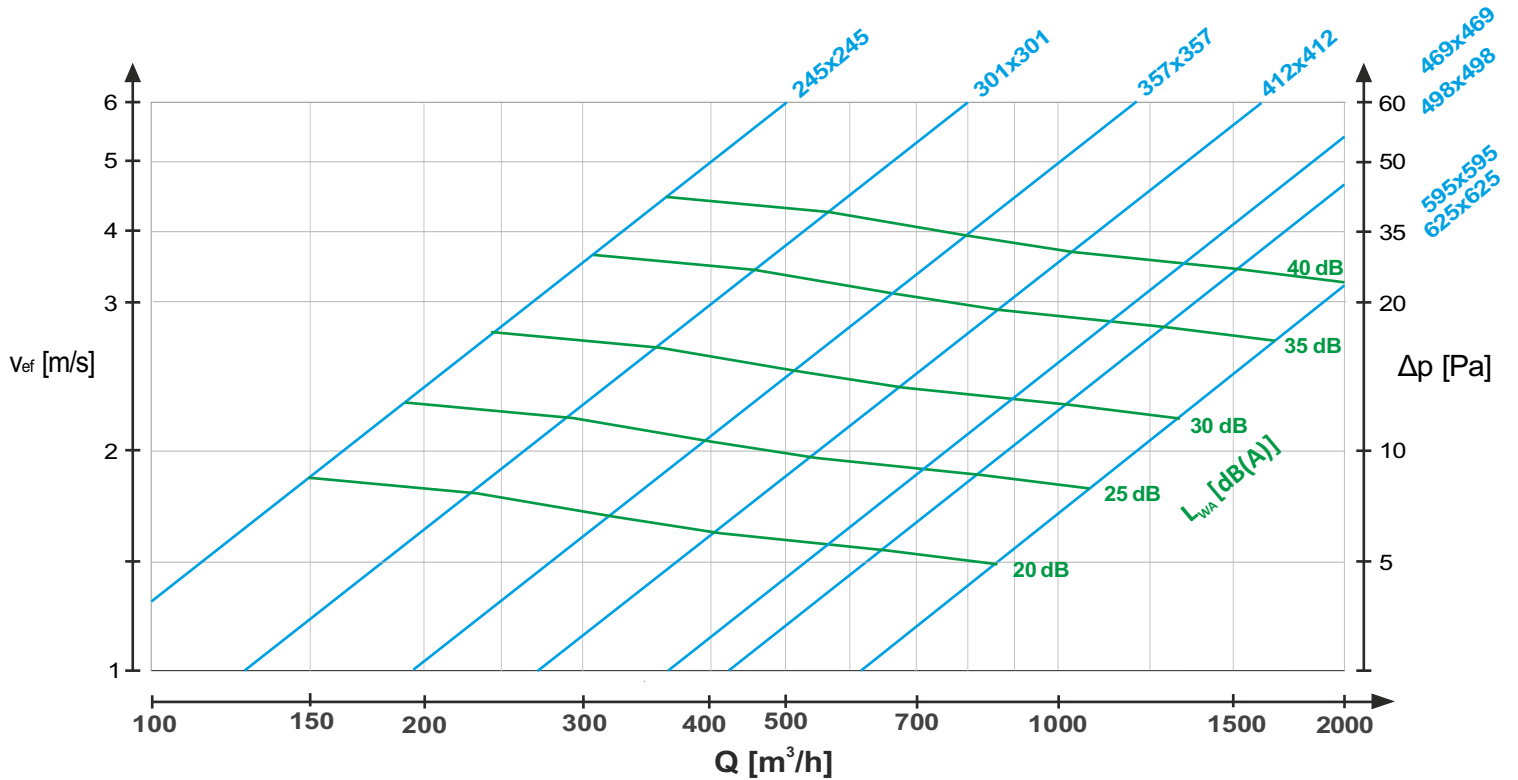
W2



Assembling visible using screws and the mounting holes in the anemostat faceplate.

Dane techniczne

Pressure drop and acoustic power AW



Symbol:

Q [m³/h]- air volume flow
L_{WA} [dB(A)]- acoustic power

Δp [Pa]- pressure drop
V_{ef} [m/s]- effective speed

EXAMPLE

Perforated Rv 8-10 (58%)

Size	A	Aef (m ²)
1	245x245	0,022
2	301x301	0,037
3	357x357	0,055
4	412x412	0,076
5	469x469	0,102
6	498x498	0,116
7	595x595	0,172

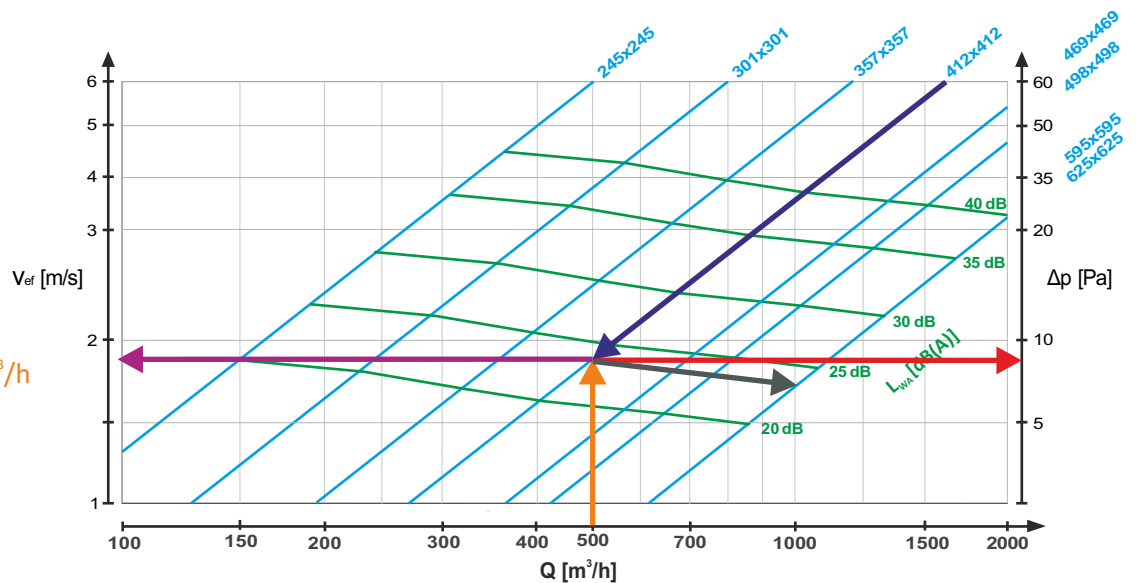
EXAMPLE

Size AW: 412x412

- Aef=0,76 [m²]
- efficiency of diffuser Q=500 m³/h

Reading from the graph:

- acoustic power L_{WA}=23 dB
- pressure drop Δp<10 Pa
- effective speed V_{ef}=1,9 m/s



The method of placing an order

Please make orders according to the following formula:

AW/'O' - 'R' / 'G' / 'RAL' / 'M' / 'W' + 'SR' / 'I' / 'P' / 'K' / 'H'

'O'	option: AW, AW/N, AW/B
'R'	size: 0, 1, 2, 3, 4, 5, 6, 7
'G'	adjustment by damper none - anemostat without damper GP - regulation by damper with counter running blades behind anemostat
'RAL'	diffuser color according to RAL palette (standard RAL9016*)
'M'	material: ST - powder coated steel* AL - aluminum powder coated KO - stainless steel / acid proof steel (type 1.4301 or 1.4404)
'W'	mounting option: W1 - assembly invisible on the construction of the suspended ceiling W2 - visible assembly with screws
'SR'	plenum box: SR-Gc - plenum box with top spigot connection SR-Bc - plenum box with side spigot connection
'I'	isolation: none - plenum box without isolation* Iz - outside isolation (thermal) Iw - inside isolation (acoustic)
'P'	adjustment damper at spigot connection: none - no damper* P - damper on spigot connection adjustable from the outside PP - damper on spigot connection adjustable from the inside
'K'	diameter spigot connection in size mm
'H'	the height of the plenum box in mm*

* - If you don't give the information will be used standard parameters.