

## Description and application

Field intake louvres are mostly used in installations with ground heat exchanger, they are designed to take fresh air from the outside to the inside of the installation. Usually they are located away from the buildings, the street, so as to limit get polluted air (field intake louvre can be equipped with filter class UE4). CT can be used as a substitute for roof intake louvre or external intake louvre when the construction of the building or elevation does not allow for the installation of such element. It is possible use of CT as a roof element as a function of intake and the exhaust louvre. Air intake louvre in free standing- field version should have holes at the height of a minimum of 0,6 m. from the ground level. In places where it may be a large amount of precipitation, the amount of this should be increased to 1,0-1,5m.

Field intake louvre has Hygienic Certificate HK/K/0522/02/2016

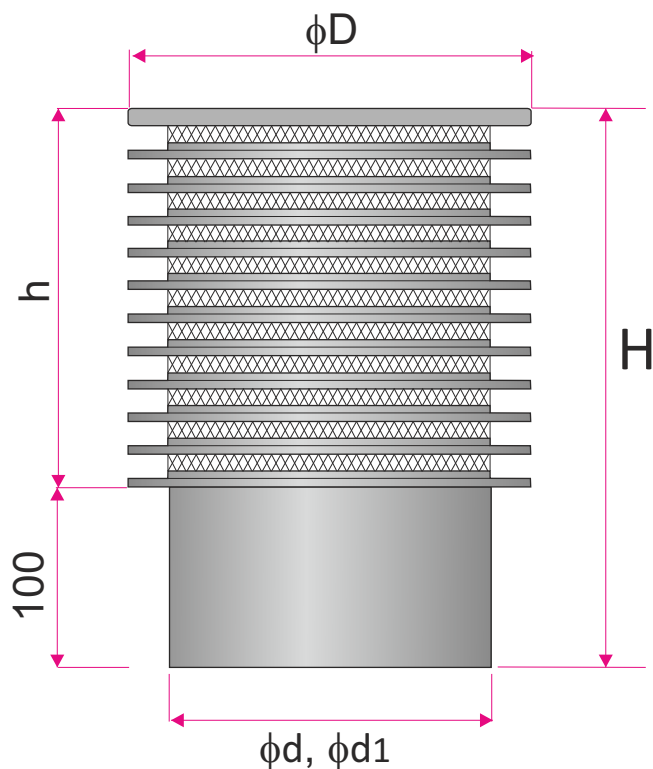
## Material and workmanship

Louvres are made of galvanized steel powder coated standard in colour RAL 9006. On request it is possible to make a special field intake louvres of aluminum and stainless steel and powder coated to any RAL color.

Louvre can be made also with the filter. We reserve the right to make technical changes and additions.

## Size

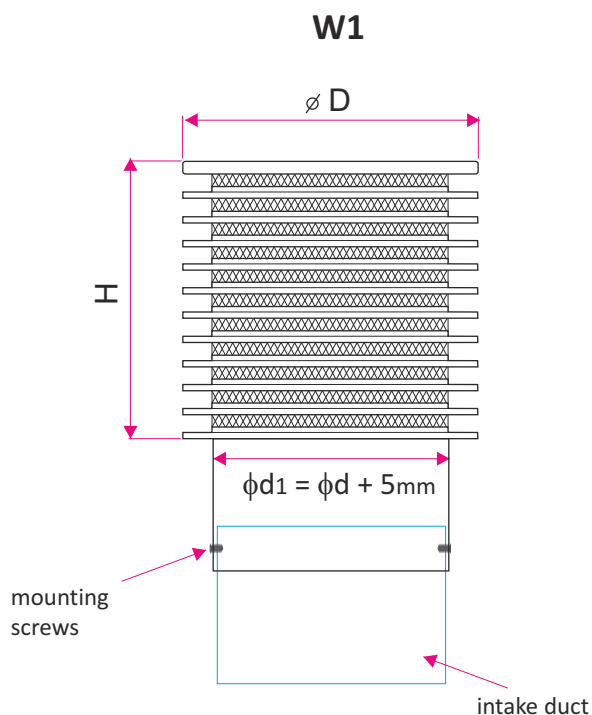
Field intake louvres are manufactured to order. Examples dimensions of the intake louvre are given in the table. According to the method of installation size  $\phi d1$  can have other values, such as the diameter of a light type is produced at +5mm, in order to put her free on intake duct. When mounting using mounting flanges (heavy type) dimensions  $\phi d1$  intake louvre is equal to the dimension of the inlet duct. Mounting flanges are recommended for the size from fi 400.



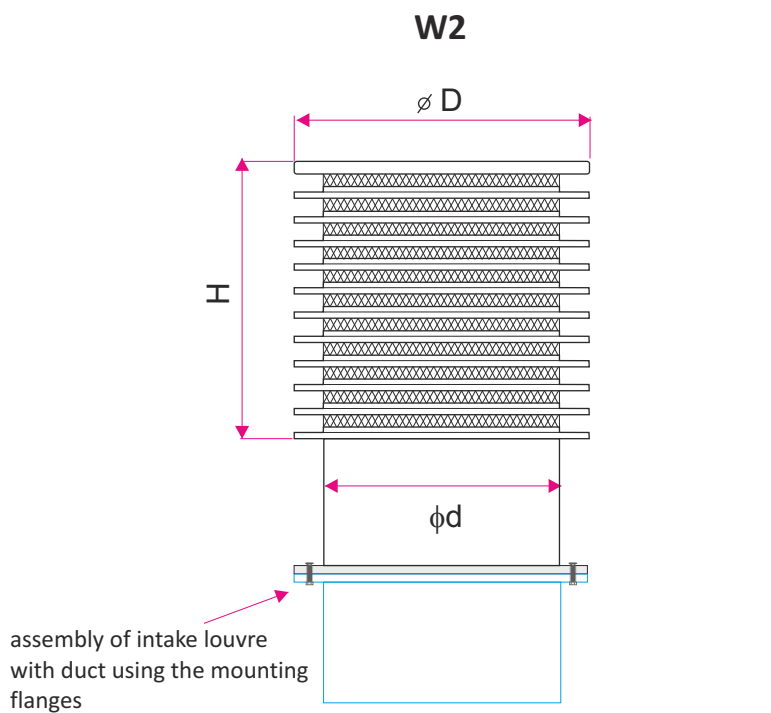
$\phi d$	$\phi d1$	$\phi D$	H calk.	$A_{ef}(m^2)$
mm				$m^2$
125	130	170	250	0,030
160	165	210	300	0,051
200	205	250	350	0,110
250	255	300	400	0,131
315	320	365	400	0,180
400	405	450	500	0,321
500	505	550	550	0,450
630	635	680	780	0,694
800	805	850	1000	1,180
1000	1005	1050	1250	1,944

Other dimensions are manufactured on request.

## Methods of mounting



**Light type** - assembly visible with screws  
(louvre fitted onto duct)



**Heavy type** - assembly visible using mounting flanges

## The method of placing an order

Please make orders according to the following formula:

**CT / ' $\phi d$ ' / 'RAL' / 'M' / 'W'**

- ' $\phi d$ ' diameter field intake louvre **125, 160, 200, 250, 315, 400, 500, 630, 800, 1000...**
- 'RAL' louvre color according to RAL palette
- 'M' - material:
  - ST** -galvanized steel\*
  - AL** - aluminum
  - KO** - stainless steel / acid proof steel (type 1.4301 or 1.4404)
- 'W' mounting option:
  - W1** - Light type -louvre fitted onto duct
  - W2** - Heavy type - assembly visible using mounting flanges

\* - If you don't give the information will be used standard parameters.