

Description and application

Intake/ exhaust roof louvre are used in the ventilation installation intake and exhaust, as the end extract ducts and ventilation holes with a circular section. Located on the roof, connected to the ventilation duct, it is designed to extract fresh air from the exterior to the interior installation. They may also be mounted on the roof base and the pedestal equalizing roof pitch. Thanks to the protective mesh that protects ventilation hole before the bird, rodent and larger impurities (like the leaves) to get inside.

Intake/exhaust roof louvre has Hygienic Certificate HK/K/0522/03/2016

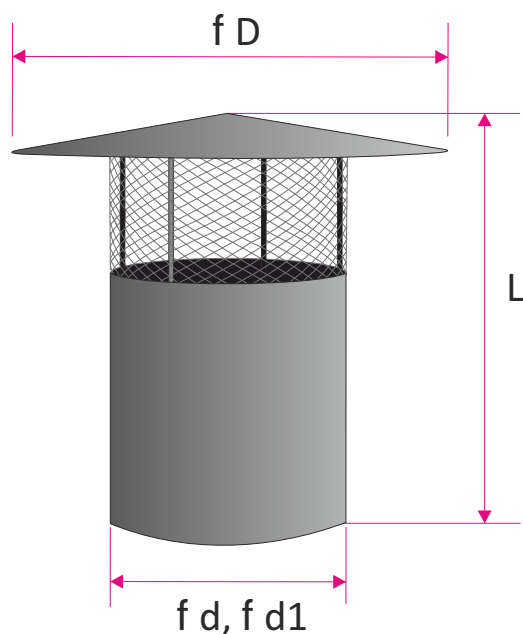
Material and workmanship

Intake/exhaust roof louvre type C is made of galvanized steel. On request it is possible to powder coated to any RAL color and make louvres of aluminum and stainless steel.

Size

Intake/exhaust roof louvre are manufactured to order. Examples dimensions are given in the table.

Depending the method of installation dimension $\varnothing d1$ can have other values, such as for light type produced intake/ exhaust roof louvre diameter is +5mm, in order to free plantings on duct. When mounting is with mounting flanges (heavy type) dimensions $\varnothing d$ louvre is equal to the dimension of the inlet duct. Mounting flanges are recommended for the size from fi 400.

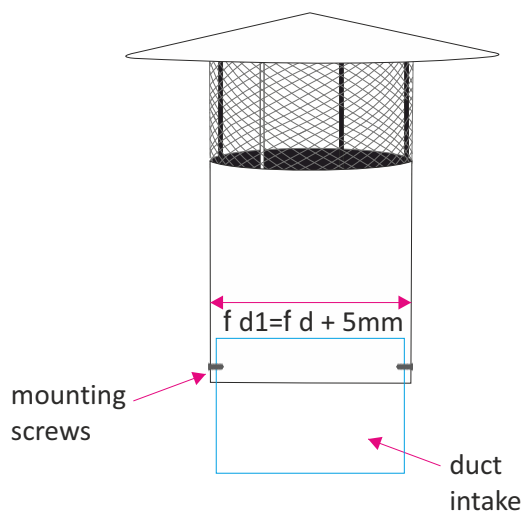


Size f d	Size f d1	f D	L
mm			
200	205	360	480
250	255	450	525
315	320	570	585
400	405	720	660
500	505	900	750
630	635	1140	870
800	805	1440	920
1000	1005	1800	1200

Values in the table are only examples of dimensions. On request possible to make louvre in other size L, f D.

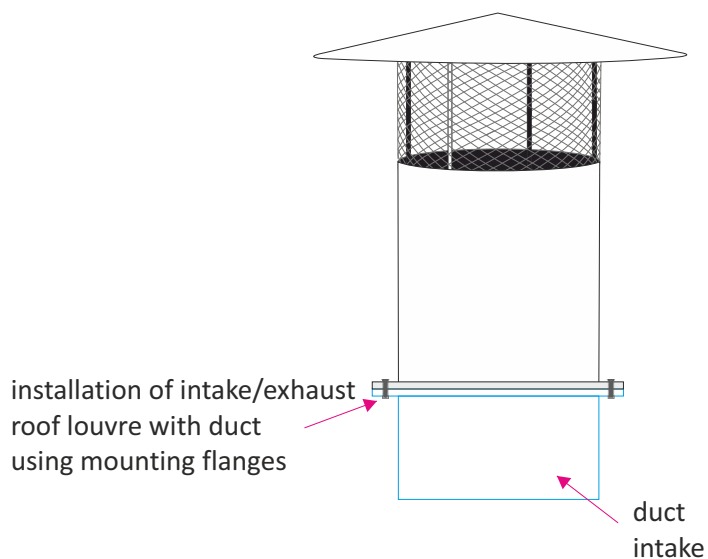
Installation example

W1

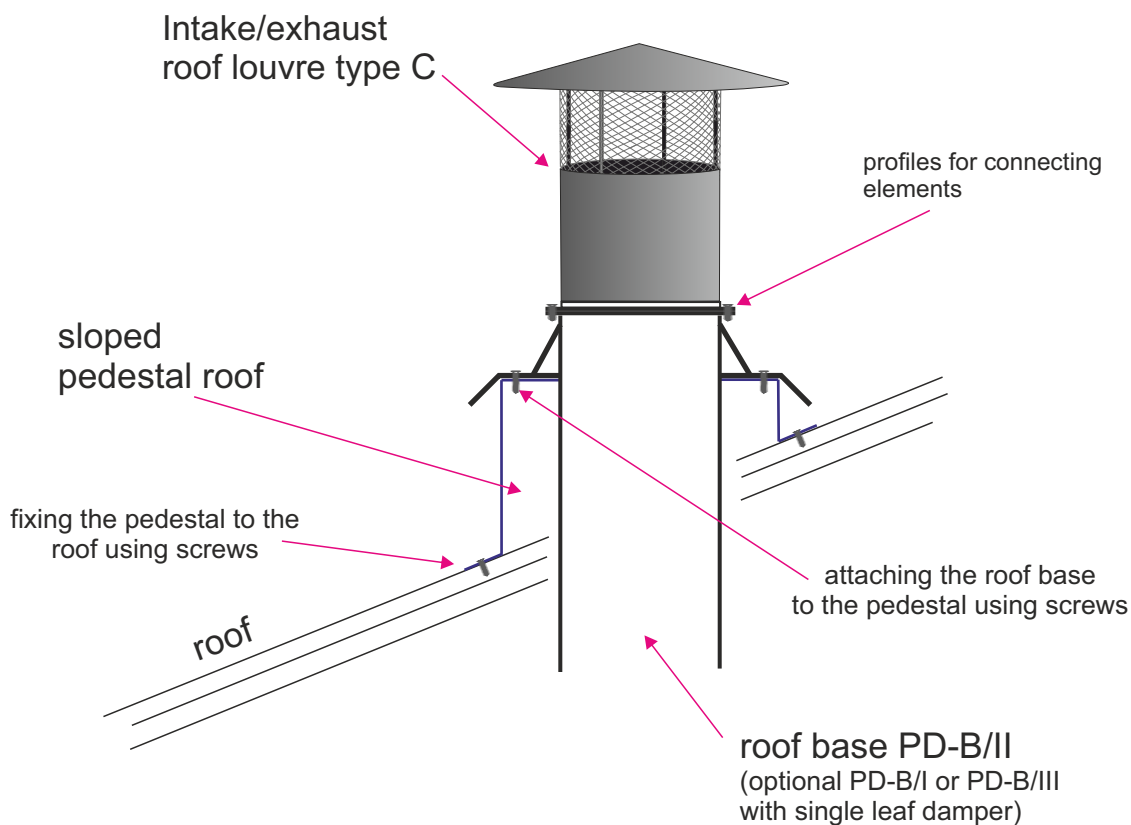


Type light - visible mounting with screws (fitted onto the duct).

W2



Heavy type - visible mounting with mounting flanges.



The method of placing an order

Please make orders according to the following formula:

CzWD-C / 'f d' / 'L' / 'RAL' / 'M' / 'W'

'f d'	diameter of louvre 125, 160, 200, 250, 315, 400, 500, 630, 800, 1000...
'L'	height of louvre (according to the table or individual on request)
'RAL'	color according to RAL palette
'M'	material: ST - galvanized steel* AL - aluminum KO - stainless steel / acid proof steel (type 1.4301 or 1.4404)
'W'	Mounting variant: W1 - type light - visible mounting with screws (fitted onto the duct). W2 - heavy type - visible mounting with mounting flanges.

* - If you don't give the information will be used standard parameters.