

## Description and application

Grilles intake and exhaust have adjustable blades embedded in the front frame in a double row horizontal and vertical. For use in installation low and medium pressure. Adjusting the angle is manual and the individual for each blade.

Grille has Hygienic Certificate HK/K/0522/01/2016

## Material and workmanship

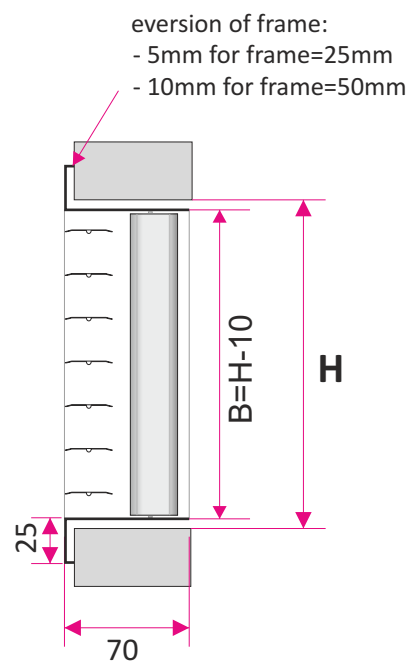
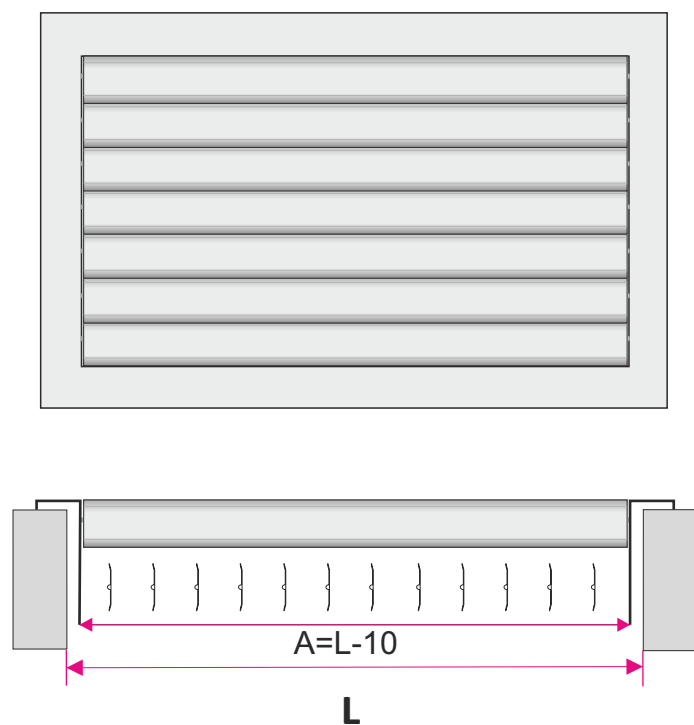
The grille is made of galvanized steel sheet powder coated white RAL 9016. On request it is possible to paint in a different color from the RAL palette and made on special stainless steel or aluminum.

## Size

Grilles are manufactured to order. Grilles dimension by the customer request.

**L** - width of the mounting hole

**H** - height of the mounting hole

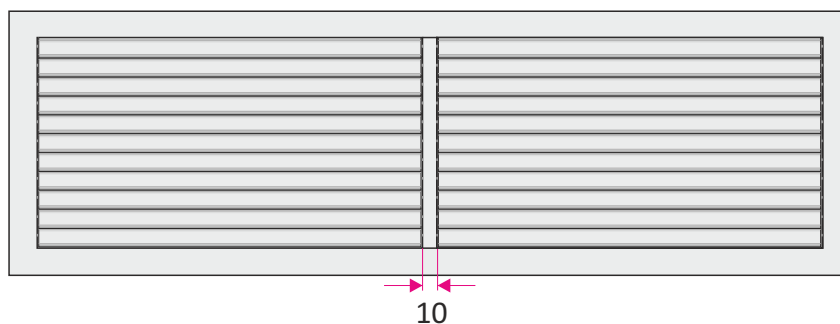


For  $L > 600$  the grille is divided (extra stiffened)

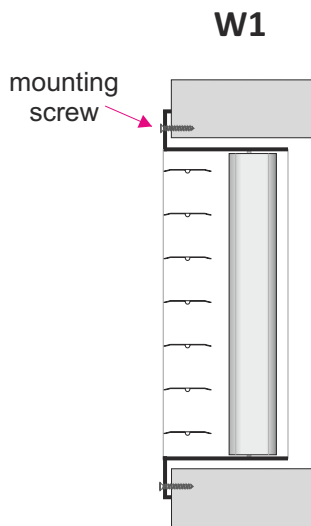
### width of the frame:

25mm for  $L$  or  $H \leq 1000$ mm

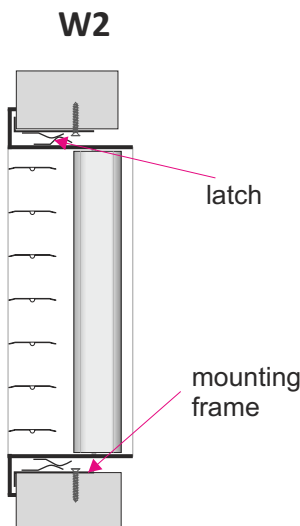
50mm for  $L$  or  $H > 1000$ mm



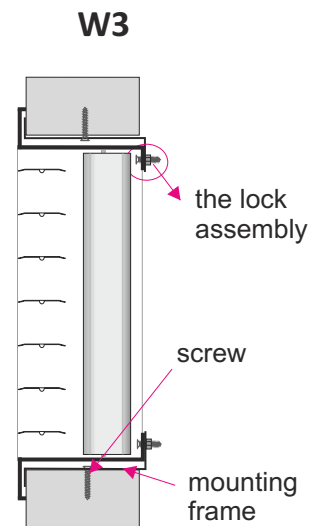
## Methods of mounting



Assembling visible through screws and mounting holes in the grille frame.



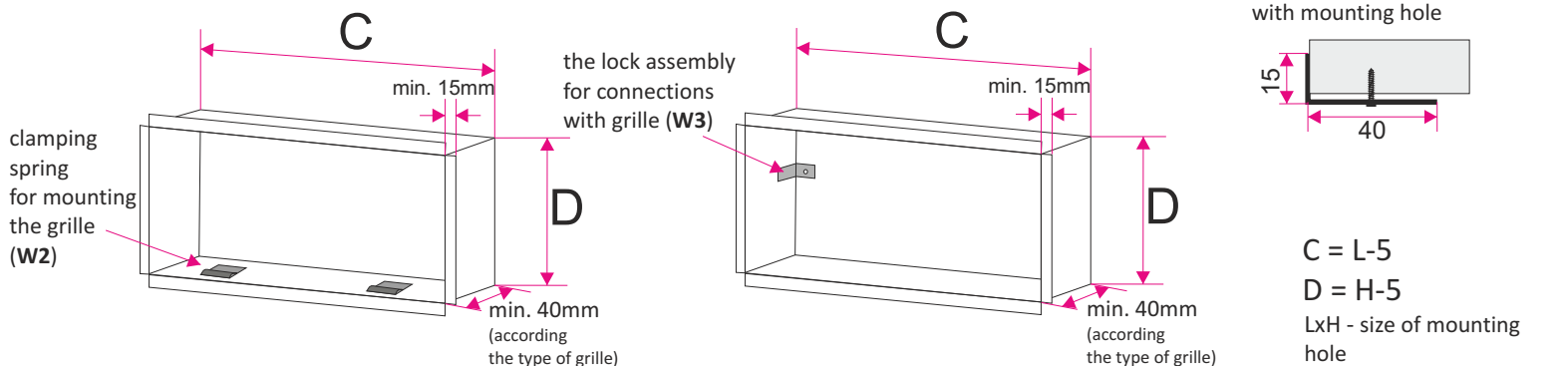
Assembling invisible by latches in grille and mounting frame RM or in plenum box.



Assembling invisible by screws and lock assembly in mounting frame RM or in plenum box

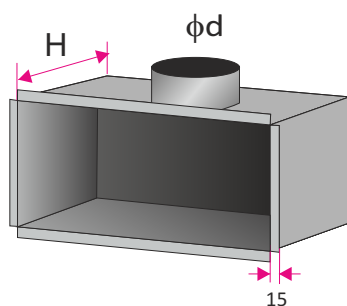
## Accessories - RM frame for invisible installation

RM frame used in the ventilation holes for invisible mounting ventilation components. Mounting frame for grilles in standard are made of galvanized steel (in the case of aluminum grilles on request frame can be also aluminum). There is possibility to make mounting frame with a filter.

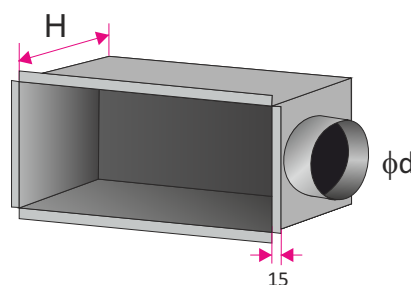


## Accessories - plenum box

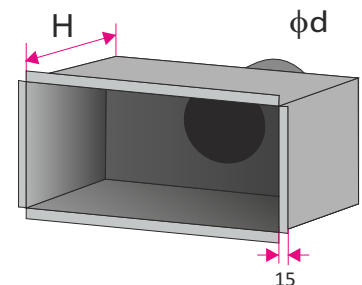
Plenum box is made of galvanized steel. On request it can be equipped with a damper control onto the connected spigot. The plenum box is isolated inside with rubber (acoustic) or outside with mineral wool (thermal). In the standard height of the plenum box is adapted to size of the spigot or diffuser size (you can specify the height of the plenum box).



SR-Gw - plenum box with the spigot on the top



SR-Bw - plenum box with the spigot on the side



SR-Tw - plenum box with the spigot on the back

## The method of placing an order

Please make orders according to the following formula:

**ST-W/S/ 'LxH' / 'RAL' / 'W' / 'M' + 'SR' / 'I' / 'P' / 'K' / 'H<sub>1</sub>'**

'LxH'	- mounting hole size (width x height) in mm
'RAL'	- grille color according to RAL palette (standard RAL9016*)
'W'	- material: <b>ST</b> - powder coated steel* <b>AL</b> - aluminum powder coated <b>KO</b> - stainless steel / acid proof steel (type 1.4301 or 1.4404)
'M'	- mounting option: <b>W1</b> - visible assembly through screws in holes in grille front frame <b>W2</b> - invisible mounting using latch springs and additional mounting frame <b>W3</b> -invisible assembly using screws, and an additional mounting frame
'SR'	- plenum box: <b>SR-Gw</b> - plenum box with top spigot connection <b>SR-Bw</b> - plenum box with side spigot connection <b>SR-Tw</b> - plenum box with back spigot connection
'I'	- isolation: <b>none</b> - plenum box without isolation* <b>Iz</b> - outside isolation (thermal) <b>Iw</b> - inside isolation (acoustic)
'P'	- adjustment damper at spigot connection: <b>none</b> - no damper* <b>P</b> - damper on spigot connection adjustable from the outside <b>PP</b> - damper on spigot connection adjustable from the inside
'K'	- diameter spigot connection in size mm
'H <sub>1</sub> '	- the height of the plenum box in mm*

\* - If you don't give the information will be used standard parameters.